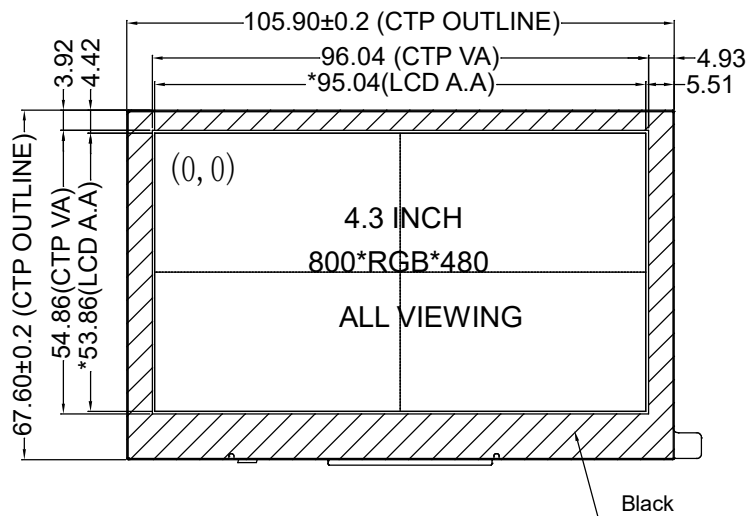


All Pages Of This Edition Approved

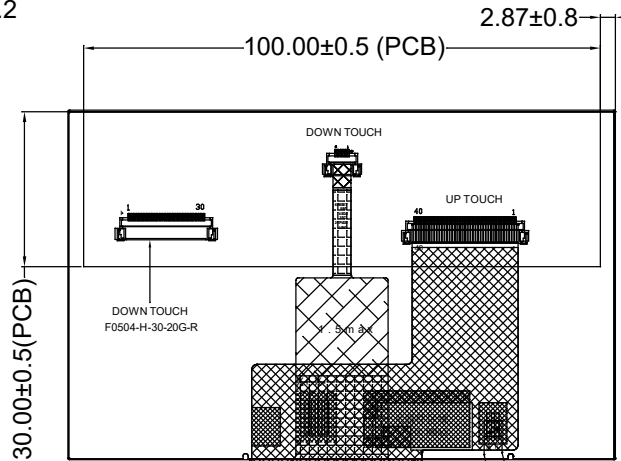
Signature: _____ Date: _____



REV.	DESCRIPTION	REVISER	DATE
V0	NEW	GF	2023.5.23



- 4.95±0.4
- 0.70 COVER
- 0.55 SENSOR
- 0.50 泡棉
- 3.00±0.2



OUT PIN FUNCTION

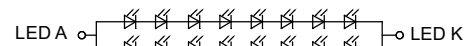
PIN	description
1	VDD1
2	VDD
3	VDD
4	GND
5	GND
6	MIPI D0_P
7	MIPI D0_N
8	GND
9	MIPI D1_P
10	MIPI D1_N
11	GND
12	MIPI CLK_P
13	MIPI CLK_N
14	GND
15	MIPI D2_P
16	MIPI D2_N
17	GND
18	MIPI D3_P
19	MIPI D3_N
20	GND
21	CTP_VDD
22	CTP_SCL
23	CTP_SDA
24	CTP_INT
25	CTP_RESET
26	BL_ADJ
27	VLED/5V
28	VLED/5V
29	GND
30	GND

NOTES:

- 1.DISPLAY TYPE: 4.3" TFT
- 2.VIEWING DIRECTION: 80 80 80 80
- 3.POLARIZER MODE: TRANSMISSIVE/POSITIVE
- 4.OPERATING TEMP: -20°C~+70°C
- 5.STORAGE TEMP: -30°C~+80°C
- 6.UNMARKER TOLERANCE: ±0.20

技术参数:

- 1、工作条件: DC 3.3V、接口界面: I²C;
- 2、支持操作: 5指;
- 3、表面硬度: ≥7H;
- 4、工作环境: -20°C~+70°C; 20~90%RH
- 5、储存环境: -30°C~+80°C; 20~90%RH
- 6、透光率: ≥85%;
- 7、结构类型: G+G(Cover lens +ITO Glass);
- 8、出线方式: FPC出线(金手指镀金);
- 9、所用材料均符合ROHS标准;
- 10、IC 选用: FT7311
- 11、未注倒边C=0.15*0.15mm, 未注公差: ±0.2mm;



16-LEDs(8S2P)/Vf=24V If=40mA(Type)

700CD/M2(MIN),800CD/M2(TYP)

Kingtech Group Co.,Ltd

Unspecified Tolerance: ±0.20	UNITS: mm	DATE:	MODEL NUMBER:		SHEET: 1 of 1	
DESIGN BY:			PV043029Y0130Z-CT		DRAWING DESCRIPTION:	LCM+CTP
CHECKED BY:			OS-RDD-07-002B			
APPROVED BY:				PROJECTION		