



# Display Module SPECIFICATION

## Model: PV0133012W0230N

<b>Customer</b>	
<b>Customer NO.</b>	
<b>Approve By</b>	

**For Solution ---13.3inch ;1920(W)XRGBX1080(H)**

**Owner:**

**Version: V01**

**Document ID:**



## Record of Revisions

Rev	Date	Sub-Model	Description of change
V01	Sept. 14 <sup>th</sup> 2022		<b>Preliminary Product Specification was first issued.</b>



## **Table of contents**

**1. General description**

**2. Absolute maximum ratings**

**3. Optical characteristics**

**4. Block diagram**

**5 Interface pin connection**

**6. Electrical characteristics**

**7. Reliability test items**

**8. Outline dimension**

**9. General precaution**

**10. Package Specification**

**11. Visuals Specification:**



# 1. General description

## 1.1 Introduction

PV0133012W0230N is a color active matrix thin film transistor (TFT) liquid crystal display (LCD) that uses amorphous silicon TFT as a switching device. This model is composed of a TFT LCD panel, a driving circuit and a back light system. This TFT LCD has a 13.3 (16:9) inch diagonally measured active display area with Full HD (1920 horizontal by 1080 vertical pixel) resolution.

## 1.2 Features

13.3 (16:9 diagonal) inch configuration

EDP(Embedded display port) Ver1.2 interface

1920x3x1080 dots panel with 16.7M colors

Edp Transfer rate Specification:Edp1.2/2.7 Gbps/2lane

LED Backlight

RoHS & Reach Compliance

## 1.3 Applications

Mobile NB,

Personal Navigation Device

Multimedia applications and Others AV system

## 1.4 General information

Item	Specification	Unit
Outline Dimension	307.60 x 183.05x 5.5 (Typ.)	mm
Display area	293.76(H) x165.24(V)	mm
Number of Pixel	1920 RGB(H) x 1080(V)	pixels
Pixel pitch	0.153(H) x 0.153(V)	mm
Pixel arrangement	RGB Vertical stripe	
Display mode /NTSC	Normally black(FFS) /72%	
Surface treatment	Antiglare, Hard-Coating(3H)	
Weight	TBD(Typ.)	G
Back-light	Single LED (Side-Light type)	
Power Consumption	B/L System 11.0(Max)	W

## 1.5 Mechanical Information

item	Min.	Typ.	Max.	Unit	
Module Size	Horizontal(H)	307.30	307.60	307.90	mm
	Vertical(V)	182.75	183.05	183.35	mm
	Depth(D)	5.2	5.5	5.8	mm



## 2.0 ABSOLUTE MAXIMUM RATINGS

### 2.1 Electrical Absolute Rating

#### 2.1.1 TFT LCD Module

Item	Symbol	Min.	Max.	Unit.	Note
Power supply voltage	LCD_VCC	-0.3	4.0	V	GND=0
				V	GND=0
				V	GND=0
				V	
				V	
Input Voltage(eDP)	V1	-0.3	1.5	V	

#### 2.1.2 Back-Light Unit

Item	Symbol	MIN.	TYP.	MAX.	Unit	Note
Forward voltage	Vf	--	27	31.5	V	(1)(2)(3)
Forward current	If	--	400		mA	(1)(2)(3)
Power Consumption	PBL	--	10.8		W	

**Note:**

(1) Permanent damage may occur to the LCD module if beyond this specification. Functional operation should be restricted to the conditions described under normal operating conditions.

(2) Ta =25±2°C

(3) Test Condition: LED current 400mA

### 2.2 Environment Absolute Rating

Item	Symbol	Min.	Max.	Unit	Remarks
Operating Temperature	Topa	-20	+70	°C	
Storage Temperature	Tstg	-30	+80	°C	



## 3.0 OPTICAL CHARACTERISTICS

### 3.1 Optical specification:

Item	Symbol	Temp.	Min.	Typ.	Max.	Unit	Condition
Response Time	Tr	25°C	--	10	15	msec	$\theta = 0^\circ, \phi = 0^\circ$ (Note 1,3)
	Tf	25°C	--	20	25		
Contrast Rate	Cr	25°C	600	1000	--	--	$\theta = 0^\circ, \phi = 0^\circ$ LED:ON, LIGHT:OFF(Note1,2)
Brightness	YL	25°C	850	1000		Cd/m2	(IL=400mA)(Note1,4)
Visual angle range front and rear	$\theta$	25°C	( $\theta$ L ) 85 ( $\theta$ R ) 85			De-gree	$\phi = 0^\circ, CR \geq 10$ LED:ON LIGHT:OFF(Note 1,4)
Visual angle range left and right	$\theta$	25°C	( $\theta$ U ) 85 ( $\theta$ D ) 85			De-gree	$\phi = 90^\circ, CR \geq 10$ LED:ON LIGHT:OFF(Note 1,4)
Brightness uniformity	BUNI		75			%	$\Theta = 0$ (Note5,7)
Visual angle			free				(Note 6)
Item	Symbol	Transmissive			Conditions		
		Min.	Typ.	Max.			
Red	XR	0.625	0.655	0.685	Reference: LCD Panel, CIE (x, y) chromaticity (Note 1,4)		
	YR	0.295	0.325	0.355			
Green	XG	0.234	0.264	0.294			
	YG	0.548	0.578	0.608			
Blue	XB	0.110	0.140	0.170			
	YB	0.057	0.087	0.117			
White	XW	0.274	0.304	0.334			
	YW	0.301	0.331	0.361			

### 3.2 Measuring Condition

Measuring surrounding: dark room ,LED current IL : 400mA

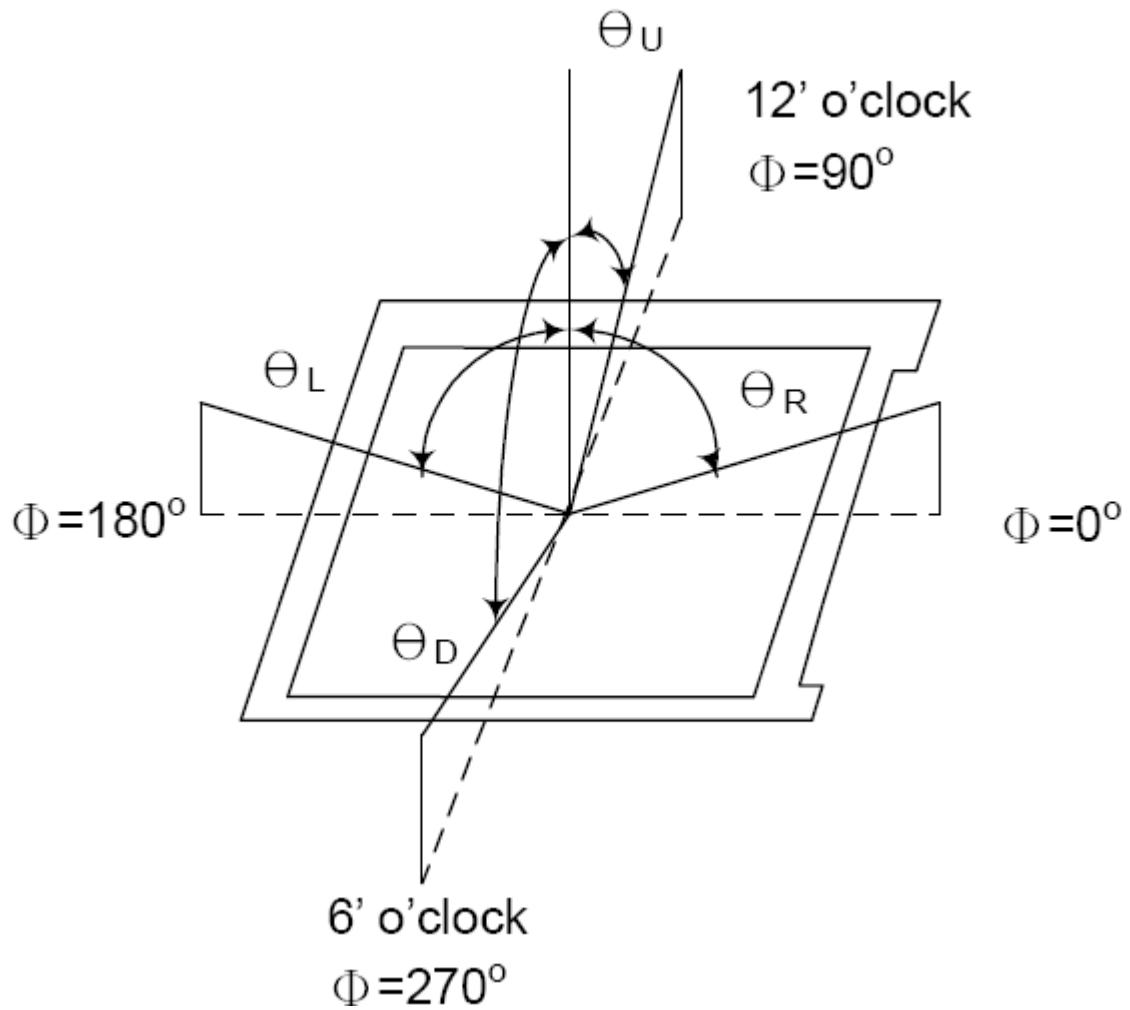
Ambient temperature: 25±2oC

15min. warm-up time.

### 3.3 Measuring Equipment

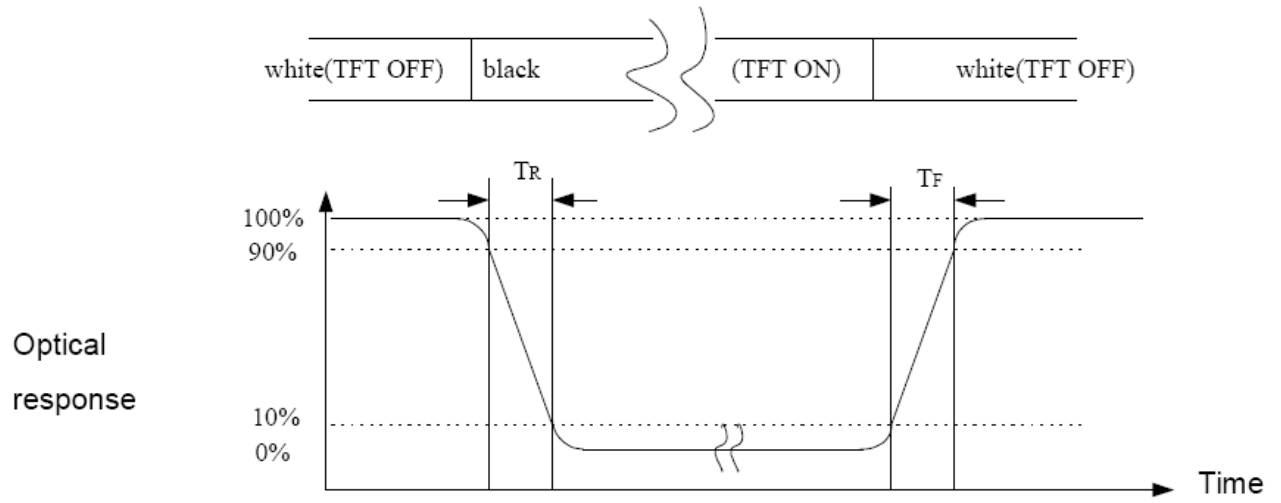
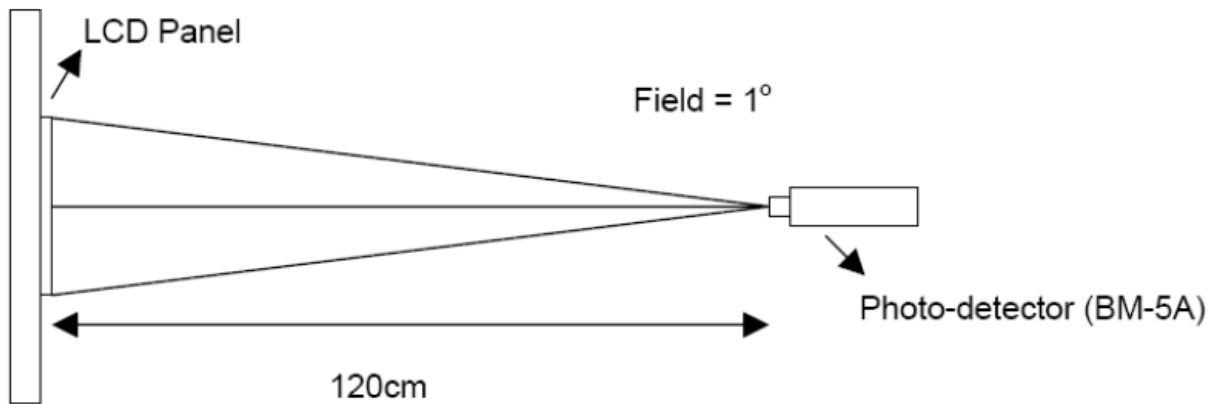
FPM520 of Westar Display technologies, INC., which utilized SR-3 for Chromaticity and BM-5A for other optical characteristics. Measuring spot size: 20 ~ 21 mm

Note (1) Definition of Viewing Angle :



**Note (2) Definition of Contrast Ratio (CR):**  
**Measured at the center point of panel**

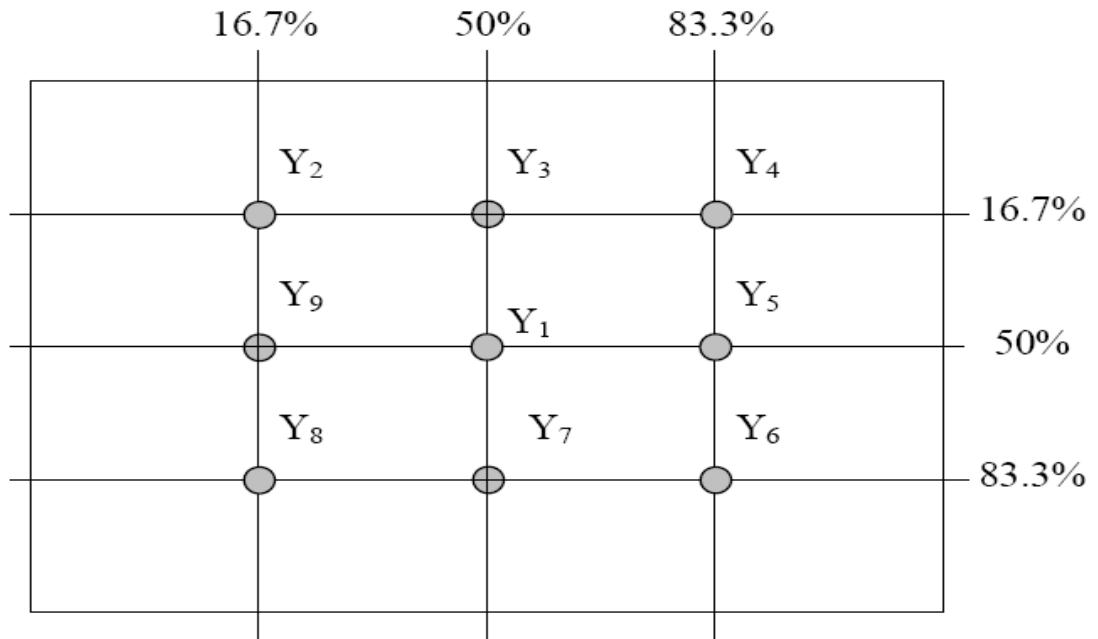
$$CR = \frac{\text{Luminance with all pixels white}}{\text{Luminance with all pixels black}}$$

**Note (3) Definition of Response Time: Sum of TR and TF****Note (4) Definition of optical measurement setup**





**Note (5) Definition of brightness uniformity**



$$\text{Luminance uniformity} = \frac{(\text{Min Luminance of 9 points})}{(\text{Max Luminance of 9 points})} \times 100\%$$

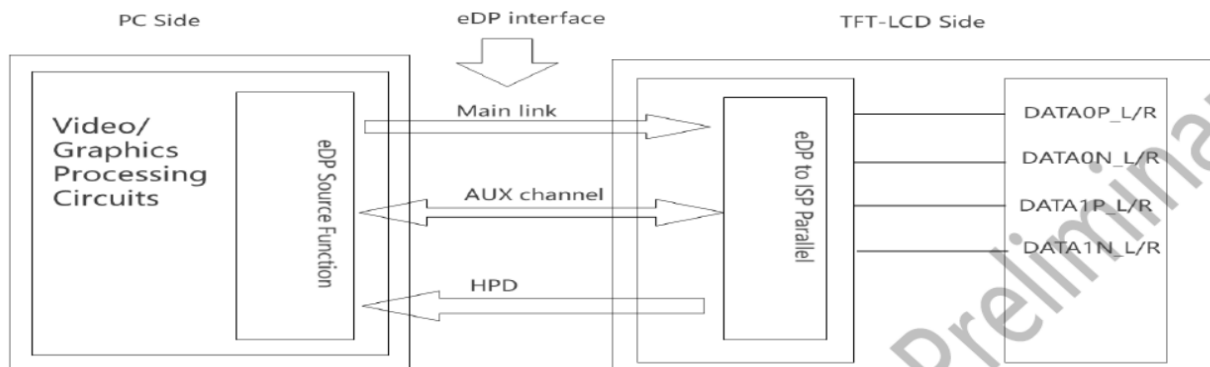
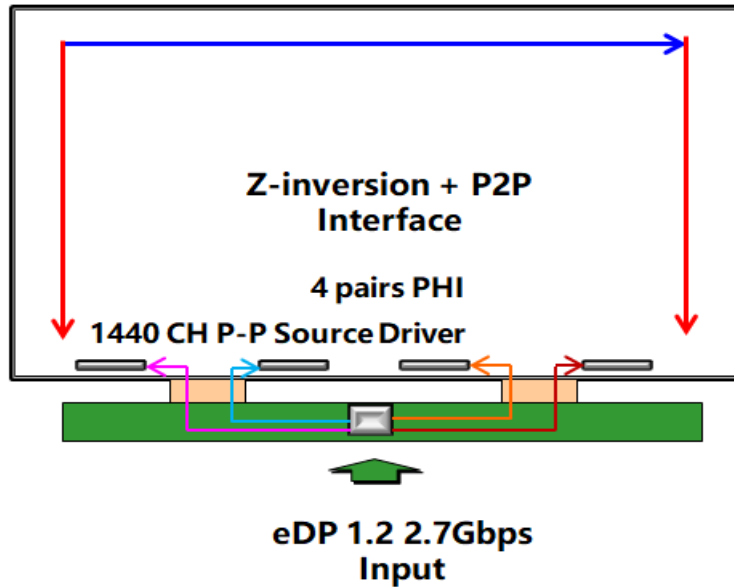
**Note (6) Rubbing Direction (The different Rubbing Direction will cause the different optimal view direction).**

**Note (7) Measured at the brightness of the panel when all terminals of LCD panel are electrically open.**

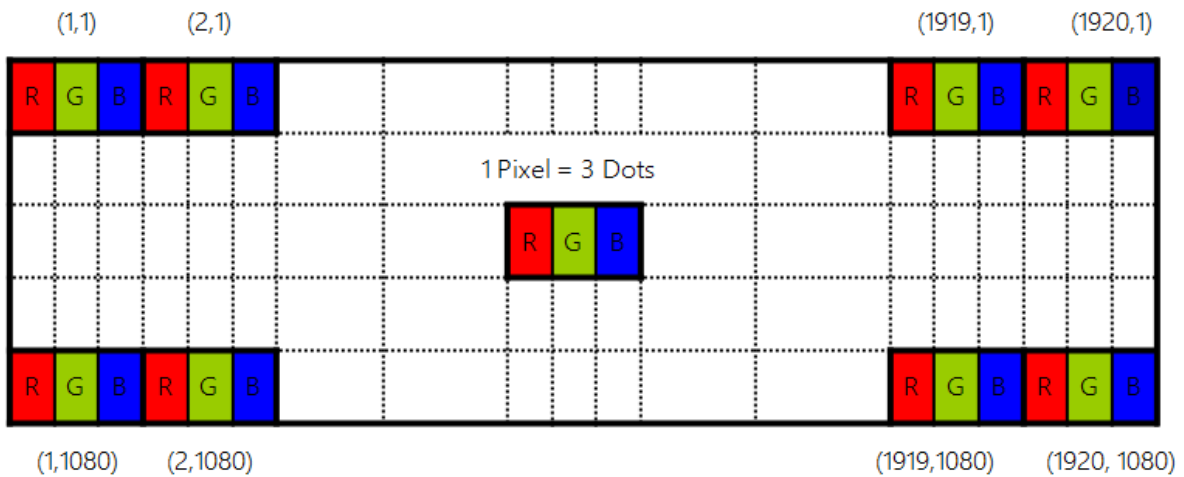


## 4.0 BLOCK DIAGRAM

### 4.1 TFT LCD Module



### 4.2 data input format



Display Position of Input Data (V-H)



## 5.0 Interface Pin Connection

### 5.1 Driver interface of PWB

(CN1:20455-030E-76(I-PEX) (EDP Signal ,3.3V DC Supply)

Corresponding connector : 20453-030T (I-PEX)

Terminal No.	Symbol	IO	Functions
1	CABC-EN	I	CABC-EN(Not connected)
2	GND	P	High Speed Power ground
3	Lane1_N	I	Complement signal link Lane1
4	Lane1_P	I	True signal Link Lane1
5	GND	P	High Speed Power ground
6	Lane0_N	I	Complement signal link Lane0
7	Lane0_P	I	True signal Link Lane0
8	GND	P	High Speed Power ground
9	AUX_CH_P	I	True signal Auxiliary channel
10	AUX_CH_N	I	Complement signal Auxiliary channel
11	GND	P	High Speed Power ground
12	LCD_VCC	P	LCD logic and driver Power
13	LCD_VCC	P	LCD logic and driver Power
14	LCD_TEST	--	Panel Self test enable
15	GND	P	LCD logic and driver ground
16	GND	P	LCD logic and driver ground
17	HPD	O	Hot Plug detect output
18	NC	P	Not connected
19	NC	P	Not connected
20	NC	P	Not connected
21	NC	P	Not connected
22	NC	P	Not connected
23	NC	P	Not connected
24	NC	P	Not connected
25	NC	P	Not connected
26	NC	P	Not connected
27	NC	P	Not connected
28	NC	P	Not connected
29	NC	P	Not connected
30	NC	P	Not connected



## Notes:

\*1 P: POWER I: Input O: Output

The shielding case is connected with signal GND

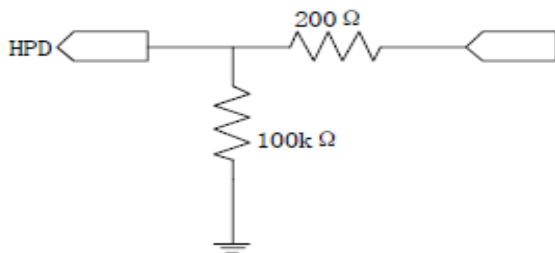
- Connector used : 20455-030E-76 (I-PEX)
- Corresponding connector : 20453-030T (I-PEX)

(Panda is not responsible to its product quality, if the user applies a connector not corresponding to the above model.)

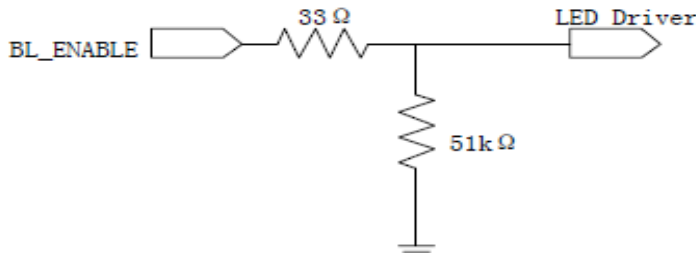
All terminals except NC terminal must be connected to input signal described as above or supply voltage or GND each.

[Note 4-1-1] Do not input any signals or any powers into a NC pin. Keep the NC pin open.

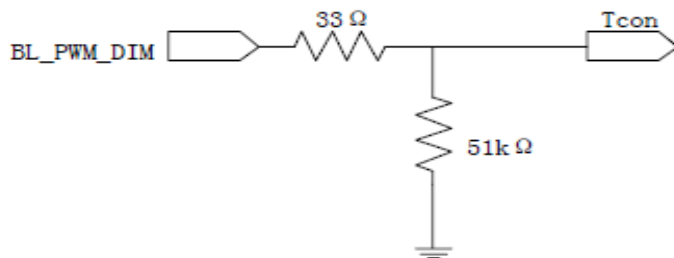
[Note 4-1-2] Output circuit is as below.



[Note 4-1-3] Input circuit is as below.



[Note 4-1-4] Input circuit is as below.



## 6.0 ELECTRICAL CHARACTERISTICS

Item	Symbol	Min.	Type	Max.	Unit.	Note
Power supply voltage	LCD_VCC	3.0	3.3	3.6	V	GND=0
Positive-going input	VIT+			+100	mV	Vcc=+3.3V
Negative-going input	VIT-	-100			mV	
	IVCC	-	212	364	mA	
	Irush			1.0	A	
Operation Temperature	Top	-20		70	°C	
Storage Temperature	Tst	-30		80	°C	



## 6.1 TFT LCD Module

eDP HPD Signal Characteristics						
Parameter	Symbol	Min.	Typ.	Max.	Unit	Remark
HPD High level output voltage	VO <sub>HHPD</sub>		VDD-0.1	-		
HPD Low level output voltage	VOL <sub>HPD</sub>	-	0			

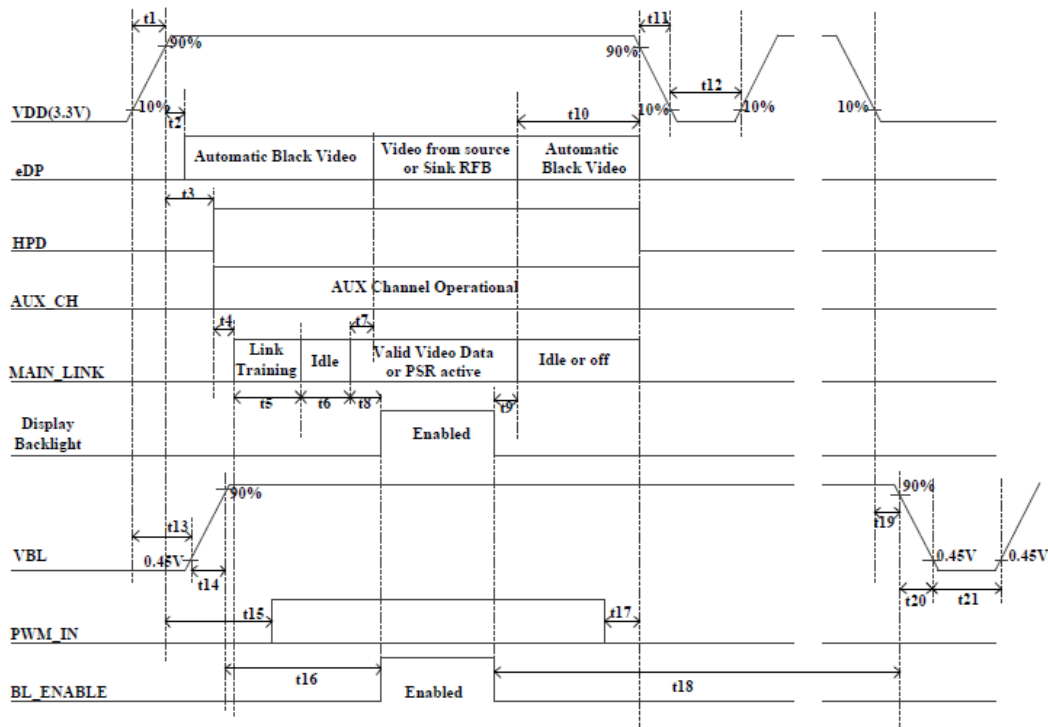
  

eDP AUX Channel Characteristics						
Parameter	Symbol	Min.	Typ.	Max.	Unit	Remark
Unit Interval for AUX channel	UI <sub>AUX</sub>	0.4	0.5	0.6	μS	
Peak-to-peak voltage at TP1	V <sub>AUX-DIFF-PP</sub>	0.32	-	1.36	V	
AUX DC Common mode Voltage	V <sub>AUX-DC-CM</sub>	0	-	2.0	V	
AUX Short current limit	I <sub>AUX-SHORT</sub>	-	-	90	mA	
AUX CH termination Resistor	R <sub>AUX-TERM</sub>	-	100	-	Ω	Differential input
AUX AC coupling capacitor	C <sub>AUX</sub>	75	-	200	nF	
Number of pre-charge pulses	Pre-charge pulses	10	-	16	-	

eDP Main Link Receiver Characteristics						
Parameter	Symbol	Min.	Typ.	Max.	Unit	Remark
Link clock down spreading	Down_Spread_Amplitude	0		0.5	%	
Differential Peak-to-peak Input Voltage at Rx package pins	V <sub>RX-DIFF-P-P</sub>	120	-	1200	mV	
Differential Return Loss at 1.35GHz at Rx package pins	RL <sub>RX-DIFF</sub>	9	-	-	dB	
Differential termination resistance	R <sub>RX-TERM</sub>	-	100	-	Ω	
RX short circuit Current Limit	I <sub>RX-SHORT</sub>	-	-	50	mA	
Lane Intra-pair Skew at RX package pins	T <sub>RX-SKEW-INTRA-PAIR-High-Bit-Rate</sub>	-	-	50	ps	

[Note 6-1-1] ON-OFF conditions for supply voltage





[Note] Do not keep the interface signal high-impedance or unusual signal when power is on.

Symbol	Min	Max	Unit	Note
t1	0.5	10	ms	
t2	0	100	ms	
t3	0	100	ms	
t4	-	-	ms	
t5	-	-	ms	
t6	-	-	ms	
t7	0	50	ms	
t8			ms	
t9			ms	
t10	0	500	ms	
t11	1	50	ms	[Note1]
t12	500	-	ms	
t13	-	-	ms	
t14	0.5	10	ms	
t15	100		ms	
t16	-	-	ms	
t17	0	-	ms	
t18	-	-	ms	
t19	-	-	ms	
t20	0.1	-	ms	
t21	100		ms	

## 6.2 Back-Light Unit

**CN LED Power Source (BHSR-02VS-1) or equivalent**

**Mating connector:(SBHT-002T-P0.5) or equivalent**

The characteristics of the LED are shown in the following tables.

Item	Symbol	Min.	Typ.	Max.	Unit	Note
LED current	IL	-	400	-	mA	(2)
LED Voltage	VL	-	27.0	31.5	V	
Operating LED life time	Hr	50000	-	-	Hour	(1)(2)

Note (1) LED life time (Hr) can be defined as the time in which it continues to operate under the condition:  $T_a=25\pm 3\text{ }^\circ\text{C}$ , typical IL value indicated in the above table until the brightness becomes less than 50%.

Note (2) The “LED life time” is defined as the module brightness decrease to 50% original brightness at  $T_a=25^\circ\text{C}$  and  $IL=400\text{mA}$ . The LED lifetime could be decreased if operating IL is larger than 400mA. The constant current driving method is suggested.



### 6.3 Signal Timing Characteristics

Parameter	Symbol	Value			Unit
		Min.	Typ.	Max.	
DCLK Frequency	<u>fclk</u>	-	477	-	MHz
Horizontal display area	<u>thd</u>	1920			pixel
HSYNC period time	<u>th</u>	-	2142	-	pixel
HSYNC blanking	<u>thb+ thfp</u>	-	222	-	pixel
Vertical display area	<u>Tvd</u>	1080			H
Frequency	<u>fV</u>	48	60	65	Hz
VSYNC period time	<u>Tv</u>	-	1100	-	H
VSYNC blanking	<u>Tvb+ Tvfp</u>	-	20	-	H



## 6.4 input signal ,basic display colors and gray scale of each color

Colors & Gray Scale	Gray Scale	Data signal																											
		R0	R1	R2	R3	R4	R5	R6	R7	G0	G1	G2	G3	G4	G5	G6	G7	B0	B1	B2	B3	B4	B5	B6	B7				
		LSB							MSB							LSB							MSB						
Basic Color	Black	-	0	0	0	0	0	0	0	0	0	0	0	0	0	0	0	0	0	0	0	0	0	0	0	0	0	0	
	Blue	-	0	0	0	0	0	0	0	0	0	0	0	0	0	0	0	0	1	1	1	1	1	1	1	1	1	1	
	Green	-	0	0	0	0	0	0	0	0	1	1	1	1	1	1	1	1	0	0	0	0	0	0	0	0	0	0	
	Cyan	-	0	0	0	0	0	0	0	0	1	1	1	1	1	1	1	1	1	1	1	1	1	1	1	1	1	1	
	Red	-	1	1	1	1	1	1	1	1	0	0	0	0	0	0	0	0	0	0	0	0	0	0	0	0	0	0	
	Magenta	-	1	1	1	1	1	1	1	1	0	0	0	0	0	0	0	0	1	1	1	1	1	1	1	1	1	1	
	Yellow	-	1	1	1	1	1	1	1	1	1	1	1	1	1	1	1	1	0	0	0	0	0	0	0	0	0	0	
	White	-	1	1	1	1	1	1	1	1	1	1	1	1	1	1	1	1	1	1	1	1	1	1	1	1	1	1	
Gray Scale of Red	Black	GS0	0	0	0	0	0	0	0	0	0	0	0	0	0	0	0	0	0	0	0	0	0	0	0	0	0		
	↑	GS1	1	0	0	0	0	0	0	0	0	0	0	0	0	0	0	0	0	0	0	0	0	0	0	0	0		
	Darker	GS2	0	1	0	0	0	0	0	0	0	0	0	0	0	0	0	0	0	0	0	0	0	0	0	0	0		
	↑	↓	↓							↓							↓												
	↓	↓	↓							↓							↓												
	Brighter	GS253	1	0	1	1	1	1	1	1	0	0	0	0	0	0	0	0	0	0	0	0	0	0	0	0	0		
	↓	GS254	0	1	1	1	1	1	1	1	0	0	0	0	0	0	0	0	0	0	0	0	0	0	0	0	0		
	Red	GS255	1	1	1	1	1	1	1	1	0	0	0	0	0	0	0	0	0	0	0	0	0	0	0	0	0		

Gray Scale of Green	Black	GS0	0	0	0	0	0	0	0	0	0	0	0	0	0	0	0	0	0	0	0	0	0	0	0	0	0
	↑	GS1	0	0	0	0	0	0	0	0	1	0	0	0	0	0	0	0	0	0	0	0	0	0	0	0	0
	Darker	GS2	0	0	0	0	0	0	0	0	0	1	0	0	0	0	0	0	0	0	0	0	0	0	0	0	0
	↑	↓	↓							↓							↓										
	↓	↓	↓							↓							↓										
	Brighter	GS253	0	0	0	0	0	0	0	0	1	0	1	1	1	1	1	1	0	0	0	0	0	0	0	0	0
	↓	GS254	0	0	0	0	0	0	0	0	0	1	1	1	1	1	1	1	0	0	0	0	0	0	0	0	0
	Green	GS255	0	0	0	0	0	0	0	0	1	1	1	1	1	1	1	1	0	0	0	0	0	0	0	0	0
Gray Scale of Blue	Black	GS0	0	0	0	0	0	0	0	0	0	0	0	0	0	0	0	0	0	0	0	0	0	0	0	0	0
	↑	GS1	0	0	0	0	0	0	0	0	0	0	0	0	0	0	0	0	1	0	0	0	0	0	0	0	0
	Darker	GS2	0	0	0	0	0	0	0	0	0	0	0	0	0	0	0	0	0	1	0	0	0	0	0	0	0
	↑	↓	↓							↓							↓										
	↓	↓	↓							↓							↓										
	Brighter	GS253	0	0	0	0	0	0	0	0	0	0	0	0	0	0	0	0	1	0	1	1	1	1	1	1	1
	↓	GS254	0	0	0	0	0	0	0	0	0	0	0	0	0	0	0	0	0	1	1	1	1	1	1	1	1
	Blue	GS255	0	0	0	0	0	0	0	0	0	0	0	0	0	0	0	0	1	1	1	1	1	1	1	1	1

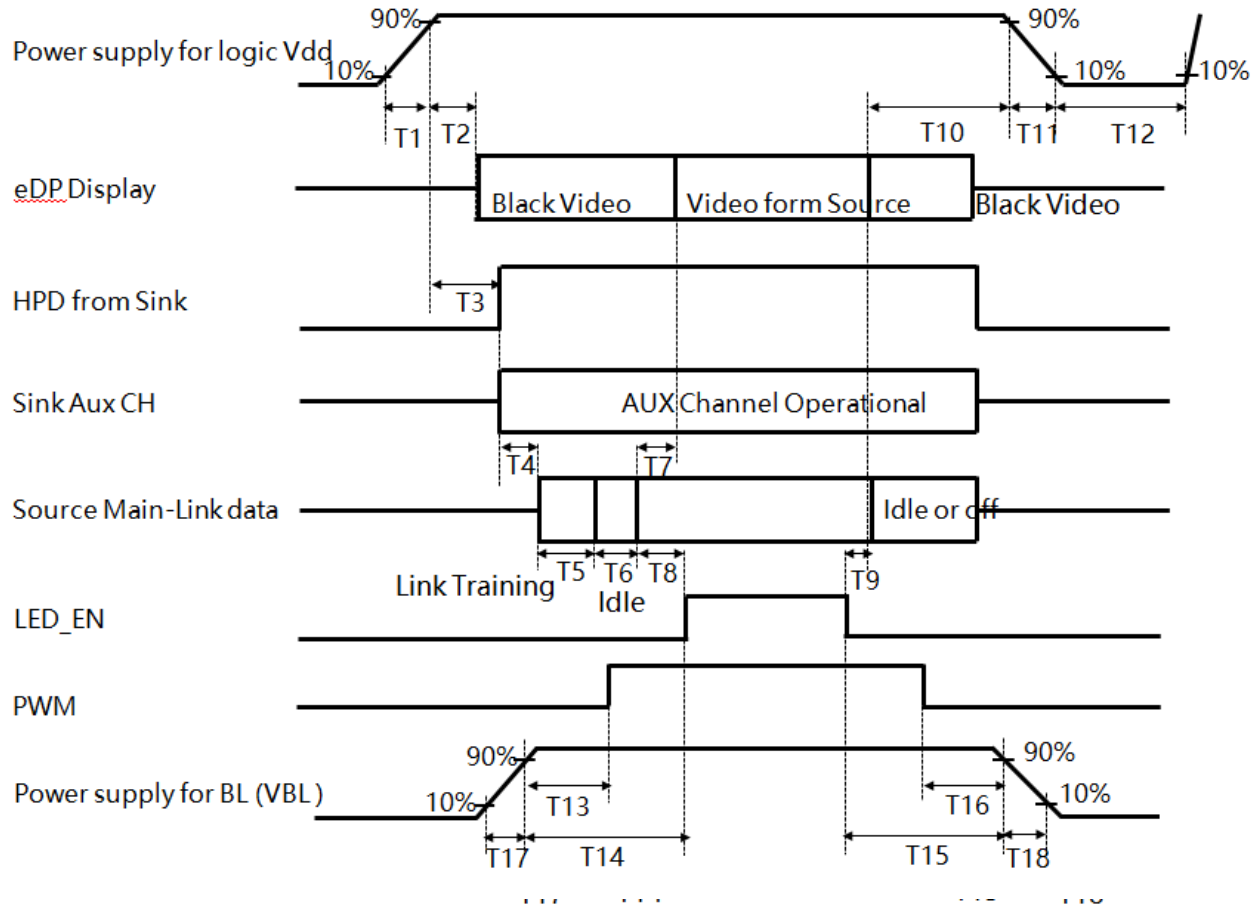
0: Low level voltage, 1: High level voltage.





## 6.5: Power SEQUENCE

To prevent a latch-up or DC operation of the LCD module, the power on/off sequence shall be as shown in below



- 0.5ms ≤ T1 ≤ 10 ms
- 0ms ≤ T2 ≤ 200 ms
- 0ms ≤ T3 ≤ 200 ms
- 0ms ≤ T13
- 0ms ≤ T14
- 0ms ≤ T17
- 80ms ≤ T8
- 0ms ≤ T7 ≤ 50ms
- 0ms ≤ T10 ≤ 500 ms
- 0.5ms ≤ T11 ≤ 10 ms
- 500ms ≤ T12
- 0ms ≤ T15
- 0ms ≤ T16
- 0ms ≤ T18

### Notes:

1. When the power supply VDD is 0V, keep the level of input signals on the low or keep high impedance.
2. Do not keep the interface signal high impedance when power is on. Back Light must be turn on after power for logic and interface signal are valid.



## 7.0 Reliability test items

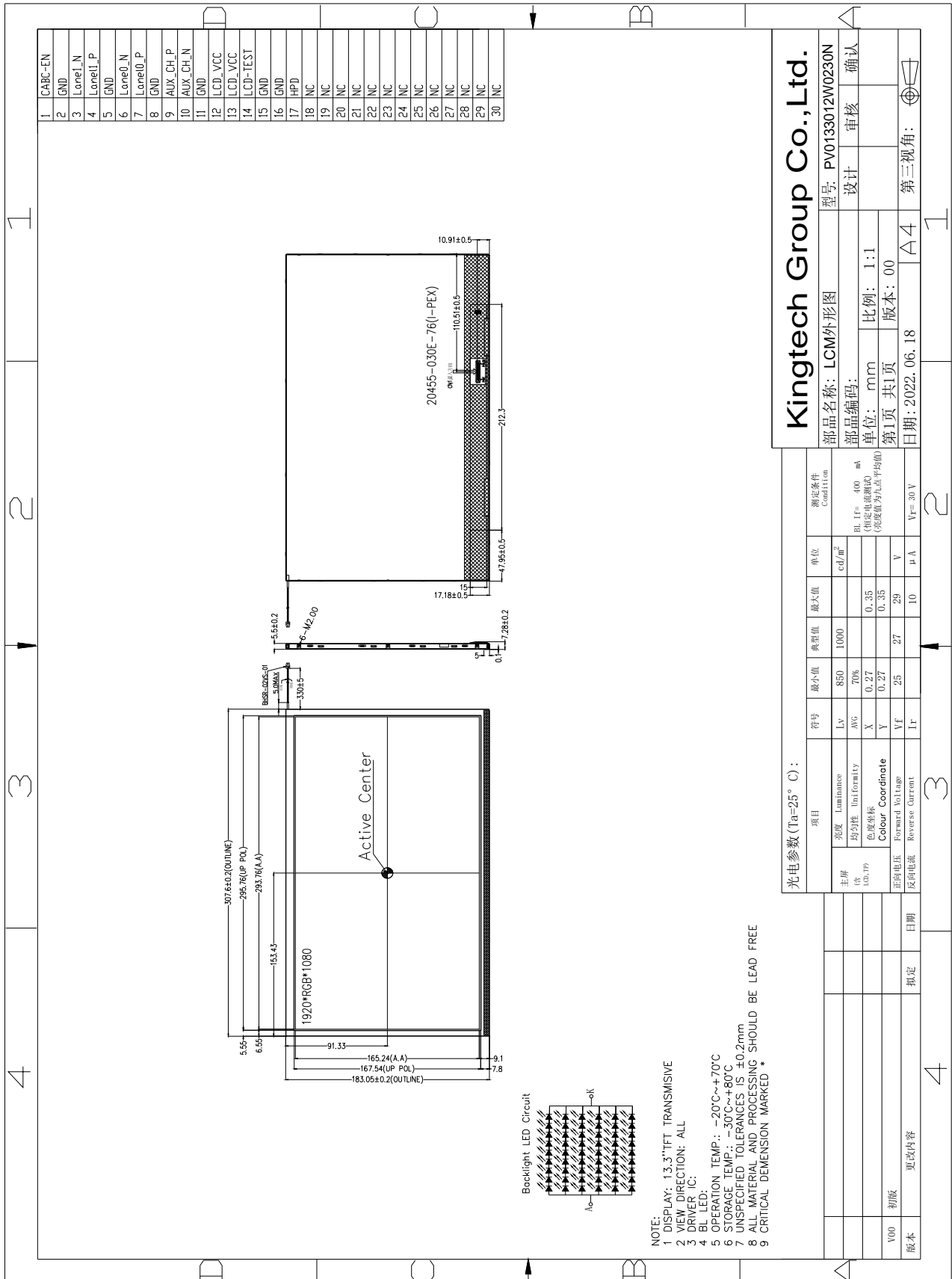
NO.	Item	Conditions	Remark
1	High Temperature Storage	Ta= +80℃,240hrs	<b>Inspection</b> after 2~4 hours storage at room temperature, the sample shall be free from defects 1. Air bubble in the LCD 2. Sealleak 3. non-display 4. missing segments 5. glass crack 6. current idd is twice higher than initial value.
2	Low Temperature Storage	Ta= -30℃,240hrs	
3	High Temperature Operation	Ta= +70℃,240hrs	
4	Low Temperature Operation	Ta= -20℃,240hrs	
5	High Temperature and High Humidity(Operation)	Ta= +60℃, 90%RH, 240hrs	
6	Thermal cycling Test (non operation)	-20℃(30min)→+70℃(30min),100cycles	
7	Electrostatic discharge	200V 200pf(0ohm) 1time/each terminal	
8	Vibration	1. Random: 1.04 Grms,5~500HZ, X/Y/Z,30min/each direction 2. Sine: Freq. Range:8~33.3hz Stoke:1.3mm Sweep:2.9G,33.3~400HZ X/Z:2hr,Y:4hr,cyc:15min	
9	Shock	100G,6ms,±X, ±Y, ±Z 3 times for each direction	
10	Vibration( with carton)	Random:0.015G ^ 2/HZ, 5~200HZ -6dB/octave,200~400HZ XYZ each dirction:2hr	
11	Drop (with carton)	Height:60cm 1corner,3edges,6surfaces	

### Note:

1. There is no display function NG issue occurred, all the cosmetic specification is judged before the reliability stress.
2. the test samples should be applied to only one test item
3. for damp proof test, Pure water(resistance>10M ohm)should be used
4. in case of malfunction defect caused by ESD damage, if it would be recovered to normal state after resetting, it would be judged as a good part
5. Failure Judgment Criterion: Basic Specification, Electrical Characteristic, Mechanical Charateristic, Optical Characteristic



## 8.0 OUTLINE DIMENSION

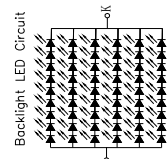


**Kingtech Group Co., Ltd.**  
 部品名称: LCM外形图  
 部品编号: PV0133012W0230N  
 设计 审核 确认  
 单位: mm  
 比例: 1:1  
 第1页 共1页  
 版本: 00  
 日期: 2022.06.18  
 A4 第三视角:

光电参数 (Ta=25° C):

项目	符号	最小值	典型值	最大值	单位	测试条件 Condition
亮度 Luminance	Lv	850	1000		cd/m <sup>2</sup>	
均匀性 Uniformity	AWG	70%				Bl, Lc, A00, mA (背光电源波动) (亮度值为九点平均值)
色度坐标 Colour Coordinate	X	0.27		0.35		
正向电压 Forward Voltage	Vf	2.5	2.7	2.9	V	
反向电流 Reverse Current	Ir		10		μA	Vr= 30 V

- NOTE:
- 1 DISPLAY: 13.3" TFT TRANSMISSIVE
  - 2 VIEW DIRECTION: ALL
  - 3 DRIVER IC:
  - 4 BL LED:
  - 5 OPERATION TEMP.: -20°C~+70°C
  - 6 STORAGE TEMP.: -30°C~+80°C
  - 7 UNSPECIFIED TOLERANCES IS ±0.2mm
  - 8 ALL MATERIAL AND PROCESSING SHOULD BE LEAD FREE
  - 9 CRITICAL DIMENSION MARKED \*





## **9.0 GENERAL PRECAUTION**

### **9.1 Use Restriction**

**This product is not authorized for use in life supporting systems, aircraft navigation control systems, military systems and any other application where performance failure could be life threatening or otherwise catastrophic.**

### **9.2 Disassembling or Modification**

**Do not disassemble or modify the module. It may damage sensitive parts inside LCD module, and may cause scratches or dust on the display. HannStar does not warrant the module, if customers disassemble or modify the module.**

### **9.3 Breakage of LCD Panel**

**9.3.1. If LCD panel is broken and liquid crystal spills out, do not ingest or inhale liquid crystal, and do not contact liquid crystal with skin.**

**9.3.2. If liquid crystal contacts mouth or eyes, rinse out with water immediately.**

**9.3.3. If liquid crystal contacts skin or cloths, wash it off immediately with alcohol and rinse thoroughly with water.**

**9.3.4. Handle carefully with chips of glass that may cause injury, when the glass is broken.**

### **9.4 Electric Shock**

**9.4.1. Disconnect power supply before handling LCD module.**

**9.4.2. Do not pull or fold the LED cable.**

**9.4.3. Do not touch the parts inside LCD modules and the fluorescent LED's connector or cables in order to prevent electric shock.**

### **9.5 Absolute Maximum Ratings and Power Protection Circuit**

**9.5.1. Do not exceed the absolute maximum rating values, such as the supply voltage variation, input voltage variation, variation in parts' parameters, environmental temperature, etc., otherwise LCD module may be damaged. 9.5.2. Please do not leave LCD module in the environment of high humidity and high temperature for a long time. 11.5.3. It's recommended to employ protection circuit for power supply.**

### **9.6 Operation**

**9.6.1 Do not touch, push or rub the polarizer with anything harder than HB pencil lead.**

**9.6.2 Use fingerstalls of soft gloves in order to keep clean display quality, when persons handle the LCD module for incoming inspection or assembly.**

**9.6.3 When the surface is dusty, please wipe gently with absorbent cotton or other soft**



material.

**9.6.4 Wipe off saliva or water drops as soon as possible. If saliva or water drops contact with polarizer for a long time, they may causes deformation or color fading.**

**9.6.5 When cleaning the adhesives, please use absorbent cotton wetted with a little petroleum benzine or other adequate solvent.**

## **9.7 Mechanism**

**Please mount LCD module by using mouting holes arranged in four corners tightly.**

## **9.8 Static Electricity**

**9.8.1 Protection film must remove very slowly from the surface of LCD module to prevent from electrostatic occurrence.**

**9.8.2. Because LCD module use CMOS-IC on circuit board and TFT-LCD panel, it is very weak to electrostatic discharge. Please be careful with electrostatic discharge. Persons who handle the module should be grounded through adequate methods.**

### **9.9 Strong Light Exposure**

**The module shall not be exposed under strong light such as direct sunlight. Otherwise, display characteristics may be changed.**

### **9.10 Disposal**


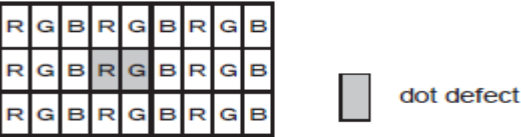
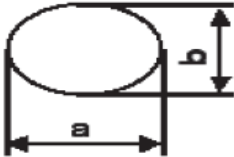
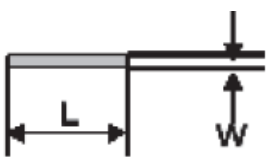
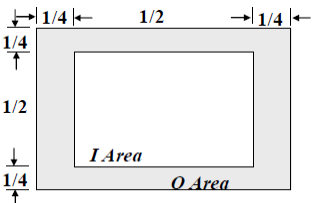
**When disposing LCD module, obey the local environmental regulations.**

## **10. Package Specification**

### **10.1 Packing format**



## 11. Visuals Specification: 1) Note

<p><b>General</b></p>	<p>1. Customer identified anomalies not defined within this inspection standard shall be reviewed by LowKey, and an additional standard shall be determined by mutual consent.</p> <p>2. This inspection standard about the image quality shall be applied to any defect within the effective viewing area and shall not be applicable to outside of the area.</p> <p>3. Inspection conditions</p> <p>Luminance : 500 Lux min.</p> <p>Inspection distance : 300 mm.</p> <p>Temperature : 25±5°C</p> <p>Direction : Directly above</p>		
<p><b>Definition of inspection item</b></p>	<p><b>Dot defect</b></p>	<p><b>Bright dot defect</b></p>	<p>The dot is constantly “on” when power applied to the LCD, even when all “Black” data sent to the screen. Inspection tool: 5% Transparency neutral density filter. Count dot: If the dot is visible through the filter. Don’t count dot: If the dot is not visible through the filter.</p> 
		<p><b>Black dot defect</b></p>	<p>The dot is constantly “off” when power applied to the LCD, even when all “White” data sent to the screen.</p>
		<p><b>Adjacent dot</b></p>	<p>Adjacent dot defect is defined as two or more bright dot defects or black dot defects.</p> 
<p><b>External inspection</b></p>	<p><b>Bubble ,scratch(foreign Particle polarizer, Cell, Backlight)</b></p>		<p>Visible operating (all pixels “Black” or “White”) and non operating.</p>
	<p><b>Appearance inspection</b></p>	<p>Does not satisfy the value at the spec.</p>	
<p><b>Others</b></p>	<p><b>LED wires</b></p>	<p>Damaged to the LED wires, connector, pin, functional failure or appearance failure.</p>	
<p><b>Definition of Size</b></p>	<p><b>Definition of circle :</b>  <math>d = (a + b) / 2</math></p> <p><b>definition of linear size</b> </p> <p><b>definition Area I/O</b> </p>		



## 2) Standard

Classification		Inspection item		Judgment Standard		
Defect (in LCD glass)	Dot defect	<b>Area</b>		<b>I</b>	<b>O</b>	
		Bright dots(Note: Visible under:ND5%) 1:D≤0.15mm:No count); D>0.15mm acceptable: 2		N≤2		
		Dark dots (0.15mm<D≤0.3mm), D>0.3mm Not allowable		N≤4		
		Bright dot-2Adjacent		N≤0		
		Dark dot-2Adjacent		N≤4		
		Dark or bright dots-3 and more Adjacent(note6)		N≤0		
		Total bright and dark dots		N≤4		
		Minimum distance between bright dots		15mm		
		Minimum distance between dark dots		5mm		
		Minimum distance between bright and bright dots		5mm		
	Other	White dot ,dark dot (circle)	Size (mm)		Acceptable number	
			d≤0.2		Neglected	
			0.2mm<D≤0.3mm		N≤4	
			0.3mm<D≤0.4mm		N≤2	
D>0.4mm			Not allowable			
Visual defect	Foreign partial	<b>Circular foreign material: dark/bright sport</b>		Visible under:ND5% 1:D≤0.2mm:No count 2:0.2mm<D≤0.5mm,N≤3 3:D>0.5mm:Not allowable		
		<b>Linear foreign material: bright or dark line</b>		Invisible under ND5% 0.1mm<W≤0.3mm, 0.3mm<L≤5mm,N≤3 Visible under ND5% 0.03mm≤w≤0.1mm, 0.3mm≤L≤3mm,N≤2		
	Polarizer	<b>Linear scratch</b>		1:BM:No Count 2:Pixel area 0.05mm≤w≤0.2mm, 1.0mm≤L≤5.0mm,N≤3		
		<b>Bubble peeling</b>		1:BM:No Count 2:Pixel area 0.2mm≤D<0.5mm,N≤4		
<b>Mura &amp; leak</b>				ND5%		