

**MODEL NO** : PV15001AR20B**MODEL VERSION:** 00**SPEC VERSION** : 1.4**ISSUED DATE** : 2015-11-24

- Preliminary Specification
 Final Product Specification

Customer : _____

Approved by	Notes

KINGTECH Confirmed :

Prepared by	Checked by	Approved by



Table of Contents

Table of Contents.....	2
Record of Revision	3
1 General Specifications	4
2 Input/Output Terminals	5
3 Absolute Maximum Ratings	7
4 Electrical Characteristics.....	8
5 Display Colors And Input Data Information.....	10
6 Timing Chart	12
7 Optical Characteristics.....	14
8 Environmental / Reliability Test.....	17
9 Mechanical Drawing.....	18
10 Markings	19
11 Packing Transportation And Delivery.....	20
12 Precautions for Use of LCD Modules.....	22



1 General Specifications

	Feature	Spec
Display Spec.	Size	15 inch
	Resolution	1024xRGBx768
	Technology Type	a-Si
	Pixel Configuration	RGB vertical stripe
	Pixel pitch(mm)	0.297(H) × 0.297(V)
	Display Mode	TM with Normally White
	Surface Treatment	Anti Glare
	Viewing Direction	12:00
	Gray Scale Inversion Direction	6:00
Mechanical Characteristics	LCM (W x H x D) (mm)	326.5(H)×253.5 (V) ×11.8 (D) (typ.)
	Active Area(mm)	304.128(W) x 228.096 (V) (typ.)
	With /Without TSP	Without TSP
	Connection Type	CN1:Socket 185083-20121 CN2: MSB24038P5
	Weight (g)	1000g
	Backlight	on of TLlight type Replaceable lamp holder for backlight
Electrical Characteristics	Interface	LVDS 1 port
	Color Depth	16.2M/262K

Note 1: Viewing direction for best image quality is different from TFT definition. There is a 180 degree shift.

Note 2: Requirements on Environmental Protection: RoHS

Note 3: LCM weight tolerance: ± 5%



2 Input/Output Terminals

2.1 LCD PINS

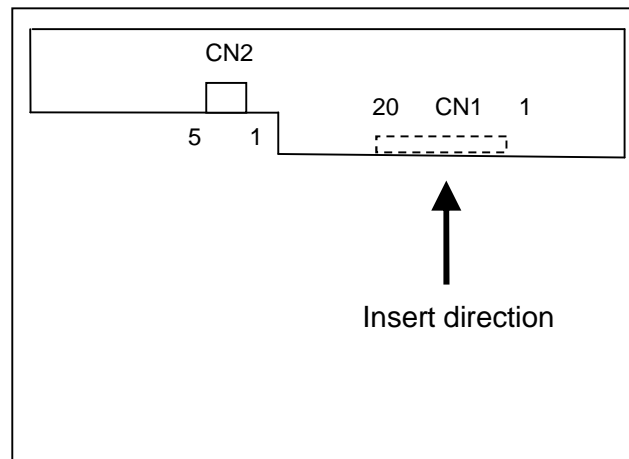
Pin No.	Symbol	Signal	Input data signal: 8bit	Input data signal:6bit	Remarks
1	VCC	Power supply	Power supply		
2	VCC				
3	GND	Ground	Ground		
4	REV	Selection of scan direction	High: Reverse scan Low or Open: Normal scan		
5	D0-	Pixel data	R0-R5,G0		
6	D0+				
7	GND	Ground	Ground		
8	D1-	Pixel data	G1-G5,B0-B1		
9	D1+				
10	GND	Ground	Ground		
11	D2-	Pixel data	B2-B5,DE		
12	D2+				
13	GND	Ground	Ground		
14	CLK-	Pixel clock	Pixel clock		
15	CLK+				
16	GND	Ground	Ground		
17	D3-	Pixel data	R6-R7, G6-G7, B6-B7	Ground	
18	D3+				
19	NC	Non connection	-		
20	SEL6/8	Selection of the number of colors	Low	High or Open	



2.2 BACKLIGHT PINS

Pin	Symbol	Description
5	VDD	12V
4	GND	Ground
3	BRTC	Back light ON/OFF control: 5V-On / 0V-Off
2	PWM	PWM Luminance control
1	NC	NC

2.3 POSITIONS OF PLUG AND SOCKET





3 Absolute Maximum Ratings

AGND=GND=0V

Item	Symbol	MIN	MAX	Unit	Remark
Power Voltage	VCC	-0.5	5.0	V	Ta = 25°C
Input voltage	V _{IN}	-0.5	5.0	V	
Operating Temperature	Top	-20	70	°C	Note1
Storage Temperature	Tst	-30	80	°C	
Relative Humidity Note2	RH	--	≤90	%	Ta≤40°C
		--	≤85	%	40°C < Ta ≤ 50°C
		--	≤55	%	50°C < Ta ≤ 60°C
		--	≤36	%	60°C < Ta ≤ 70°C
		--	≤24	%	70°C < Ta ≤ 80°C
Absolute Humidity	AH	--	≤70	g/m ³	Ta > 50°C

Table 3 Absolute Maximum Ratings

Note1: The temperature of panel display surface area should be -20°C Min and 70°C Max.

Note2: a).Ta means the ambient temperature.
 b).It is necessary to limit the relative humidity to the specified temperature range.
 c).Condensation on the module is not allowed.
 d).Wet-bulb temperature should be 39°C Max. (Ta > 40°C)
 e).90%RH Max. (Ta ≤ 40°C)



4 Electrical Characteristics

4.1 Driving For LCD

AGND=GND=0V, Ta = 25°C

Parameter	Symbol	min.	typ.	max.	Unit	Remarks	
Power supply voltage	VCC	3.0	3.3	3.6	V	-	
Power supply ripple	Vp-p			200	mV	Including spike noise	
Power supply current	ICC	-	550	-	mA	Note 1	
Permissible ripple voltage	VRP	-	-	100	mV		
Differential input voltage	Vid	250		450	mV		
Differential input threshold voltage for LVDS receiver	High	VTH	-	-	100	mV	VCM = 1.25V Note2
	Low	VTL	-100	-		mV	
Input voltage width for LVDS receiver	Vi	0	-	1.90	V	-	
Terminating resistor	RT	-	100	-	Ω	-	
Rush current	I _{rush}	-	-	1.5	A	Note3	
Input voltage for MSL signals	High	VFH	0.7VCC		VCC	V	
	Low	VFL	0		0.3VCC	V	

Note 1: Black mode, 65MHz, at VCC = 3.3V.

Note 2: Common mode voltage for LVDS receiver.

Note 3: Measurement Conditions:

4.2 Driving For Backlight

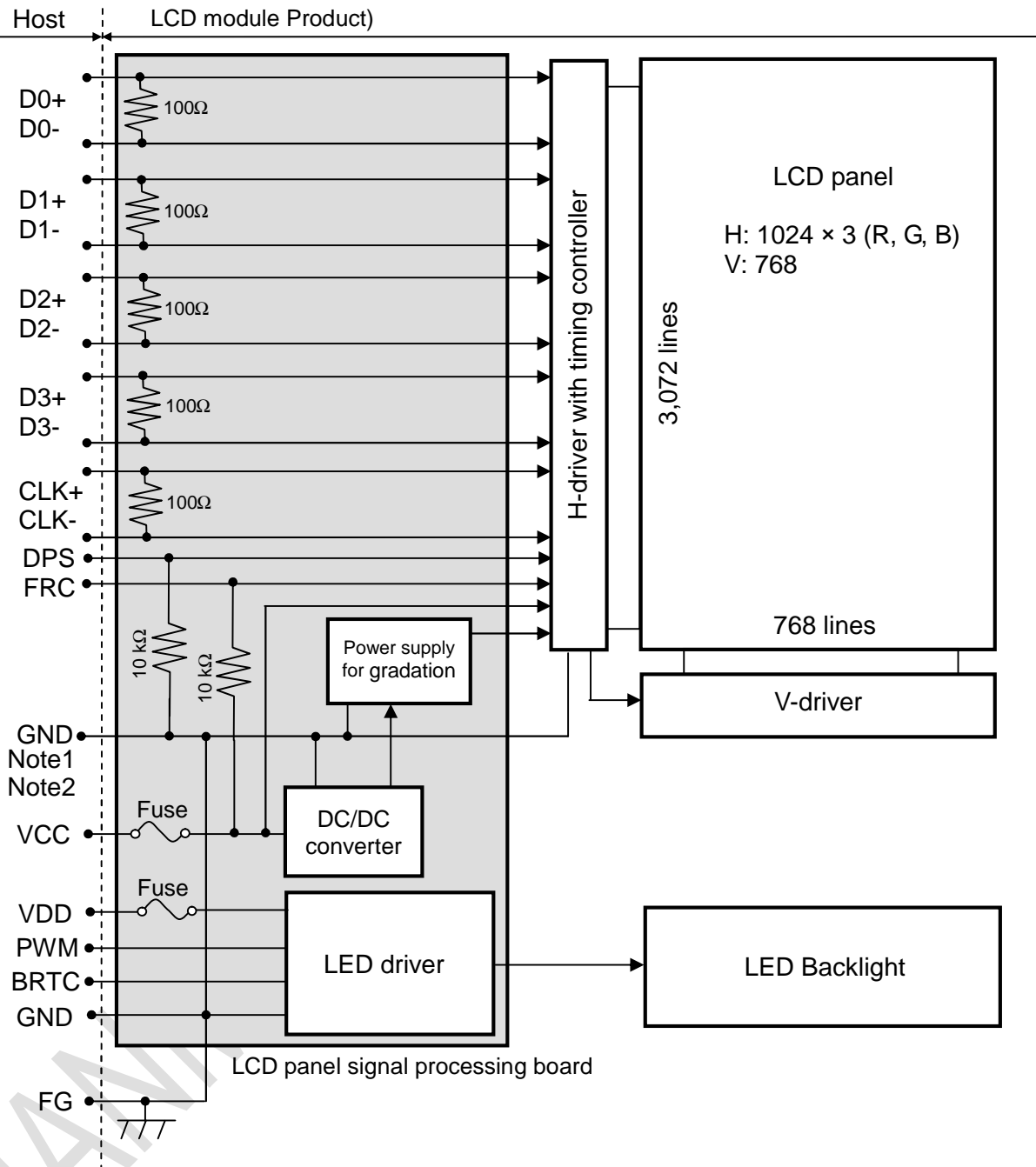
(Ta=25°C) Note1

Parameter	Symbol	min.	typ.	max.	Unit	Remarks
Power supply voltage	VDD	10.8	12.0	12.6	V	
Power supply current	IDD	-	705	-	mA	
Input voltage for PWM signal	High	VDFH1	2.0		5.0	V
	Low	VDFL1	0		0.4	V
Input voltage for BRTC signal	High	VDFH2	2.0		5.0	V
	Low	VDFL2	0		0.4	V
PWM frequency	fpwm	200		(20K)	Hz	
PWM duty	--	5		100	%	
Led life time	Hr	-	50000	-	Hour	Note1

Note1: Optical performance should be evaluated at Ta=25°C. Only If LED is driven by high current, high ambient temperature & humidity condition. The life time of LED will be reduced. Operating life means brightness goes down to 50% of initial brightness. Typical operating life time is an estimated data.



4.3 Block Diagram



Note1: Relations between GND (Signal ground and LED driver ground) and FG (Frame ground) in the LCD module are as follows:

GND - FG	Connected
----------	-----------

Note2: GND and FG must be connected to customer equipment's ground, and it is recommended that these grounds be connected together in customer equipment.



5 DISPLAY COLORS AND INPUT DATA INFORMATION

5.1 DISPLAY COLORS AND DATA SIGNAL

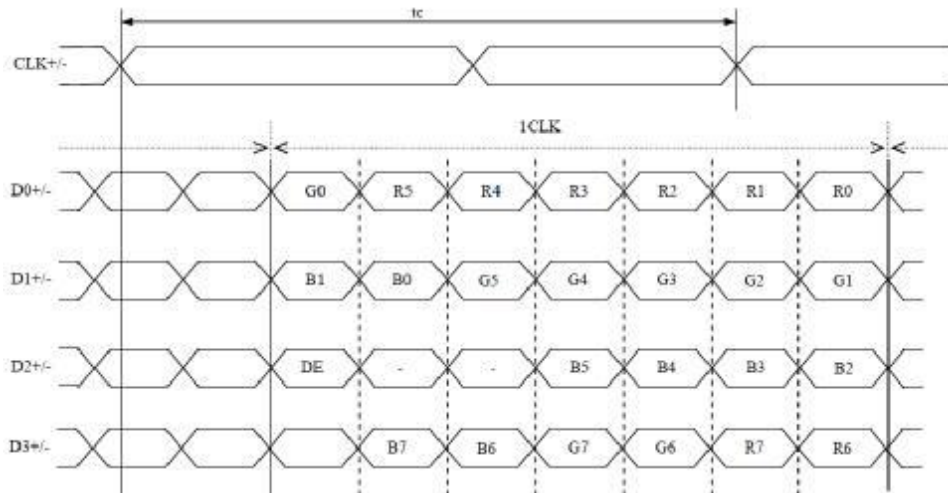
This product can display in equivalent to 16,194,277 colors in 253 scales. Also the relation between display colors and input data signals is as the following table. And it can display in equivalent to 262,144 colors in 64 scales, without data signals R7, R6, G7, G6, B7, B6 in the following table.

Display colors		Data signal (0:Low level · 1:High Level)																						
		R7	R6	R5	R4	R3	R2	R1	R0	G7	G6	G5	G4	G3	G2	G1	G0	B7	B6	B5	B4	B3	B2	B1
Basic Color	Black	0	0	0	0	0	0	0	0	0	0	0	0	0	0	0	0	0	0	0	0	0	0	0
	Blue	0	0	0	0	0	0	0	0	0	0	0	0	0	0	0	0	1	1	1	1	1	1	1
	Red	1	1	1	1	1	1	1	1	0	0	0	0	0	0	0	0	0	0	0	0	0	0	0
	Magenta	1	1	1	1	1	1	1	1	0	0	0	0	0	0	0	0	1	1	1	1	1	1	1
	Green	0	0	0	0	0	0	0	0	1	1	1	1	1	1	1	1	0	0	0	0	0	0	0
	Cyan	0	0	0	0	0	0	0	0	1	1	1	1	1	1	1	1	1	1	1	1	1	1	1
	Yellow	1	1	1	1	1	1	1	1	1	1	1	1	1	1	1	1	0	0	0	0	0	0	0
	White	1	1	1	1	1	1	1	1	1	1	1	1	1	1	1	1	1	1	1	1	1	1	1
Red grayscale	Black	0	0	0	0	0	0	0	0	0	0	0	0	0	0	0	0	0	0	0	0	0	0	
	Dark	0	0	0	0	0	0	0	1	0	0	0	0	0	0	0	0	0	0	0	0	0	0	
	↕	0	0	0	0	0	0	1	0	0	0	0	0	0	0	0	0	0	0	0	0	0	0	
	:	:	:	:	:	:	:	:	:	:	:	:	:	:	:	:	:	:	:	:	:	:	:	
	Bright Red	1	1	1	1	1	1	0	1	0	0	0	0	0	0	0	0	0	0	0	0	0	0	
	1	1	1	1	1	1	1	1	0	0	0	0	0	0	0	0	0	0	0	0	0	0	0	
Green grayscale	Black	0	0	0	0	0	0	0	0	0	0	0	0	0	0	0	0	0	0	0	0	0	0	
	Dark	0	0	0	0	0	0	0	0	0	0	0	0	0	0	1	0	0	0	0	0	0	0	
	↕	0	0	0	0	0	0	0	0	0	0	0	0	0	1	0	0	0	0	0	0	0	0	
	:	:	:	:	:	:	:	:	:	:	:	:	:	:	:	:	:	:	:	:	:	:	:	
	Bright Green	0	0	0	0	0	0	0	0	1	1	1	1	1	1	0	1	0	0	0	0	0	0	
	0	0	0	0	0	0	0	0	0	1	1	1	1	1	1	0	0	0	0	0	0	0	0	
Blue grayscale	Black	0	0	0	0	0	0	0	0	0	0	0	0	0	0	0	0	0	0	0	0	0	0	
	Dark	0	0	0	0	0	0	0	0	0	0	0	0	0	0	0	0	0	0	0	0	0	1	
	↕	0	0	0	0	0	0	0	0	0	0	0	0	0	0	0	0	0	0	0	0	1	0	
	:	:	:	:	:	:	:	:	:	:	:	:	:	:	:	:	:	:	:	:	:	:	:	
	Bright Blue	0	0	0	0	0	0	0	0	0	0	0	0	0	0	0	0	1	1	1	1	1	1	0
	0	0	0	0	0	0	0	0	0	0	0	0	0	0	0	0	0	1	1	1	1	1	1	0
0	0	0	0	0	0	0	0	0	0	0	0	0	0	0	0	0	1	1	1	1	1	1	1	

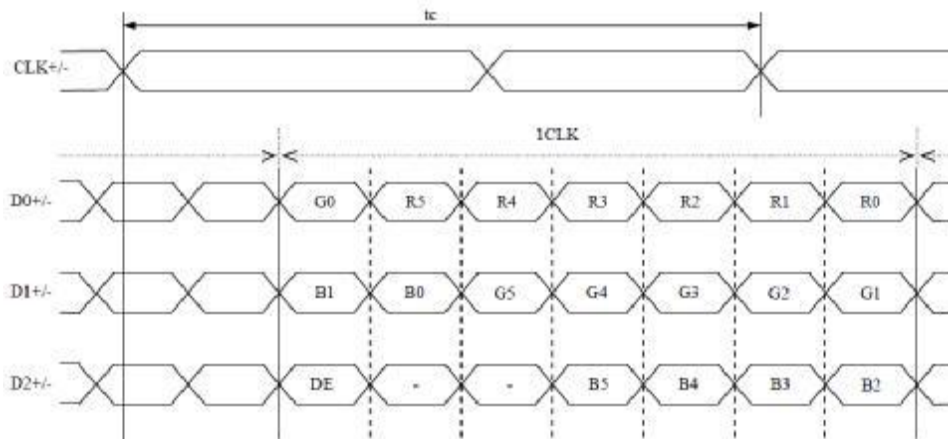


5.2 DATA MAPPING

(1) LVDS Input data signal: 8bit



(2) LVDS Input data signal: 6bit





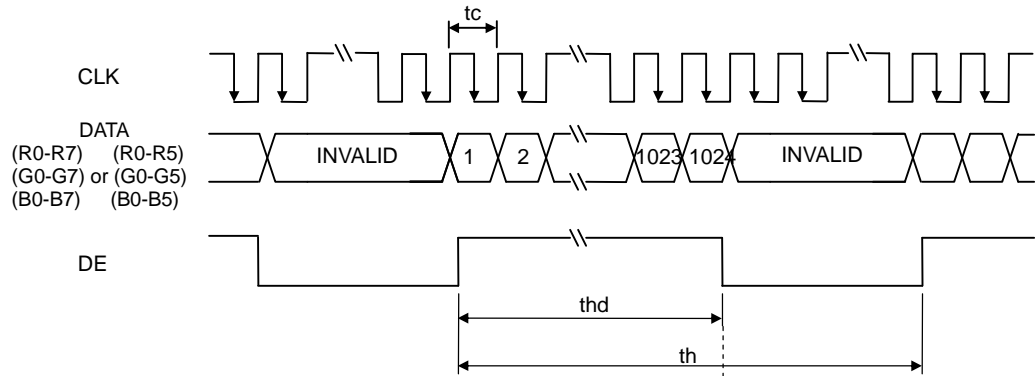
6 Timing Chart

6.1 TIMING CHARACTERISTICS

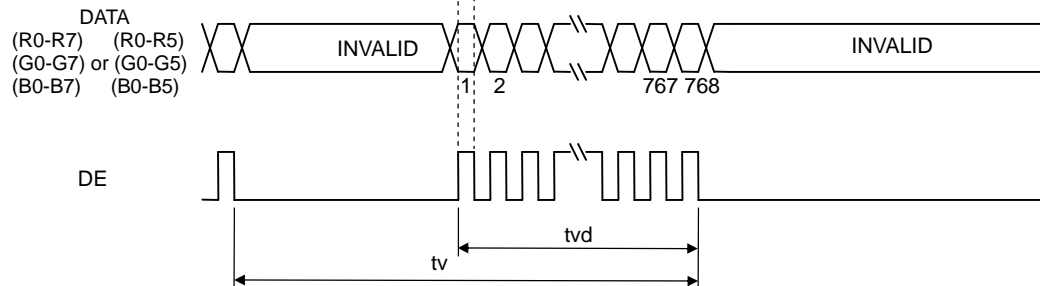
Parameter		Symbol	min.	typ.	max.	Unit	Remarks
Clock	Frequency	1/tc	52	56.88	71	MHz	17.58ns (typ.)
		tc	19.23	17.58	14.08	ns	
Horizontal signals	Cycle	th	1114	1200	1400	CLK	
	Display period	thd	1024				-
Vertical signals	Cycle	tv	778	790	845	H	60.0Hz(typ.)
	Display period	tvd	768				-

6.2 INPUT SIGNAL TIMING CHART

Horizontal timing



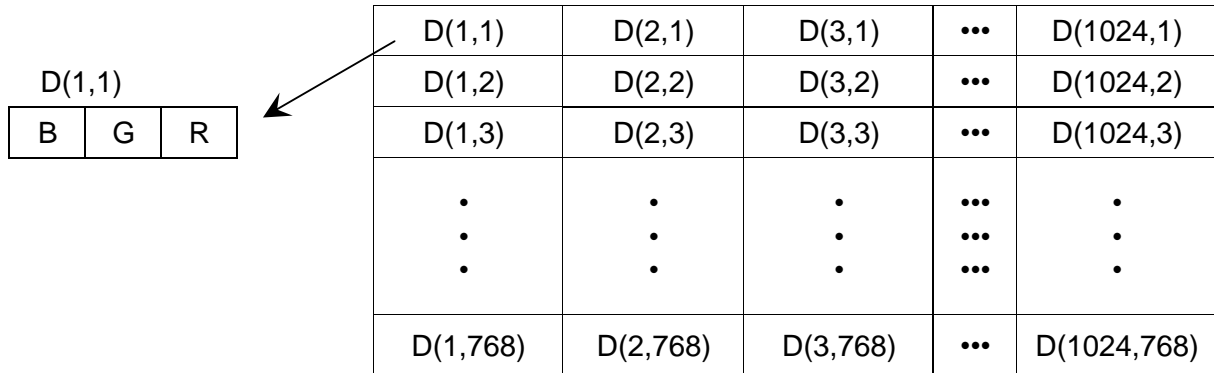
Vertical timing





6.3 PIXEL DATA ALIGNMENT OF DISPLAY IMAGE

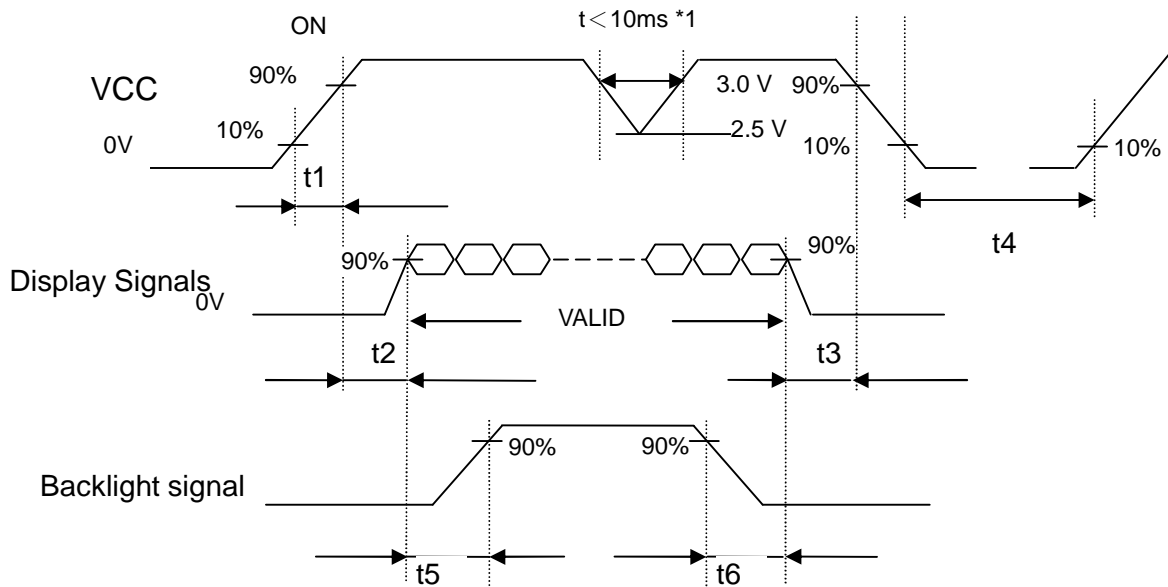
The following chart is the coordinates of per pixel



Note: Pixel arrangement is BGR stripe when module's PCB side placed upward. It is suggested that module's PCB side should placed downward to compatible with RGB pixel arranging modules.

6.4 POWER SUPPLY VOLTAGE SEQUENCE

6.4.1 The sequence of backlight and power



Timing Specifications:

- t1 :0.5ms<t1 <10ms;
- t2 :0.5 ms<t2 <50ms;
- t3 :0ms<t3 <50ms;
- t4 :t4 >1000ms;
- t5 :t5 >200ms;
- t6 :t6 >200ms;



7 Optical Characteristics

Item	Symbol	Condition	Min	Typ.	Max	Unit	Remark	
View Angles	θT	$CR \geq 10$	70	80	-	Degree	Note 2	
	θB		70	80	-			
	θL		70	80	-			
	θR		70	80	-			
Contrast Ratio	CR	$\theta=0^\circ$	600	800	-	-	Note1 Note3	
Luminance uniformity	U		-	1.25	1.33	-	Note6	
Response Time	T_{ON}	25°C	-	8	12	ms	Note1 Note4	
	T_{OFF}							
Chromaticity	White	Backlight is on	x	0.263	0.313	0.363	-	Note5 Note1
			y	0.279	0.329	0.379		
	Red		x	0.582	0.632	0.682		
			y	0.305	0.355	0.405		
	Green		x	0.294	0.344	0.394		
			y	0.558	0.608	0.658		
	Blue		x	0.107	0.157	0.207		
			y	0.037	0.087	0.137		
NTSC			50	60	-	%	Note5	
Luminance	L		400	450	-	cd/m ²	Note7	

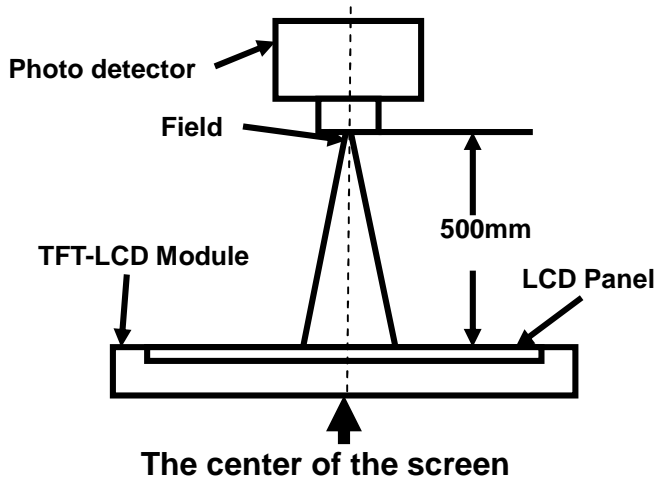
Test Conditions:

1. The ambient temperature is 25°C. VDD= 3.3V, VCC=12V, 100% brightness,
2. The test systems refer to Note 1 and Note2.



Note 1: Definition of optical measurement system.

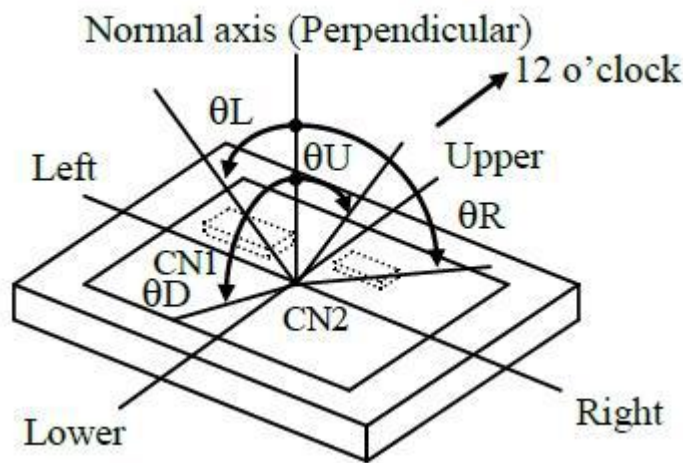
The optical characteristics should be measured in dark room. After 5 Minutes operation, the optical properties are measured at the center point of the LCD screen. All input terminals LCD panel must be ground when measuring the center area of the panel.



Item	Photo detector	Field
Contrast Ratio	SR-3A	1°
Luminance		
Chromaticity		
Lum Uniformity		
Response Time	BM-7A	2°

Note 2: Definition of viewing angle range and measurement system.

viewing angle is measured at the center point of the LCD by CONOSCOPE(ergo-80).



Note 3: Definition of contrast ratio

$$\text{Contrast ratio (CR)} = \frac{\text{Luminance measured when LCD is on the "White" state}}{\text{Luminance measured when LCD is on the "Black" state}}$$

“White state “: The state is that the LCD should drive by V_{white} .

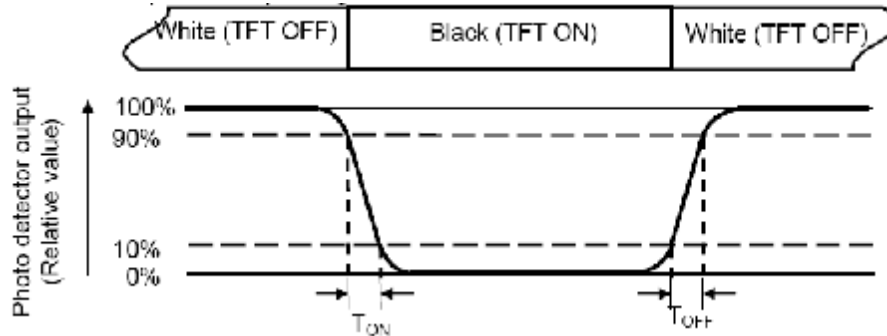
“Black state”: The state is that the LCD should drive by V_{black} .

V_{white} : To be determined V_{black} : To be determined.



Note 4: Definition of Response time

The response time is defined as the LCD optical switching time interval between “White” state and “Black” state. Rise time (T_{ON}) is the time between photo detector output intensity changed from 90% to 10%. And fall time (T_{OFF}) is the time between photo detector output intensity changed from 10% to 90%.



Note 5: Definition of color chromaticity (CIE1931)

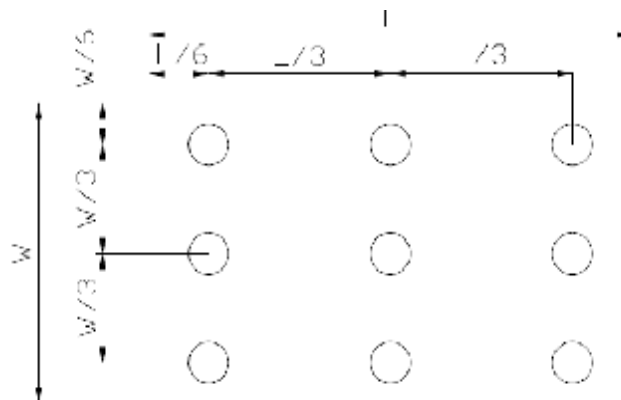
Color coordinates measured at center point of LCD.

Note 6: Definition of Luminance Uniformity

Active area is divided into 9 measuring areas (Refer Fig. 2). Every measuring point is placed at the center of each measuring area.

$$\text{Luminance Uniformity (U)} = L_{\min} / L_{\max}$$

L-----Active area length W----- Active area width



L_{\max} : The measured Maximum luminance of all measurement position.

L_{\min} : The measured Minimum luminance of all measurement position.

Note 7: Definition of Luminance:

Measure the luminance of white state at center point.



8 Environmental / Reliability Test

No	Test Item	Condition	Remarks
1	High Temperature Operation	Ts = +70℃, 240 hours (Note1)	IEC60068-2-1:2007 GB2423.2-2008
2	Low Temperature Operation	Ta = -20℃, 240 hours (Note1)	IEC60068-2-1:2007 GB2423.1-2008
3	High Temperature Storage	Ta = +80℃, 240 hours	IEC60068-2-1:2007 GB2423.2-2008
4	Low Temperature Storage	Ta = -30℃, 240 hours	IEC60068-2-1:2007 GB2423.1-2008
5	Storage at High Temperature and Humidity	Ta = +50℃, 80% RH max, 240hours	IEC60068-2-78 :2001 GB/T2423.3—2006
6	Thermal Shock (non-operation)	-20℃ 30 min ~ +60℃ 30 min, Change time:5min, 20 Cycle	Start with cold temperature, End with high temperature, IEC60068-2-14:1984, GB2423.22-2002
7	ESD(Operation)	C=150pF, R=330Ω, 5point/panel Air: ±15Kv, 9points,25times/point; Contact: ±8Kv, 9points,25times/point (Environment: 15℃~35℃, 30%~60%. 86Kpa~106Kpa)	IEC61000-4-2:2001 GB/T17626.2-2006
8	Package Drop Test	Height: 60cm, 1corner, 3edges, 6surfaces	IEC60068-2-32:1990 GB/T2423.8—1995
9	Vibration (Non-operation)	Frequency range:5~100Hz, 11.76m/s ² 1minute/cycle X,Y,Z directions 50times each directions	IEC60068-2-6:1982 GB2423.10-1995
10	Shock (Non-operation)	30G,11ms,±X,Y,Z directions,3times For each direction	IEC60068-2-27:1987 GB/T2423.5—1995

Note1: Ts is the temperature of panel's surface.

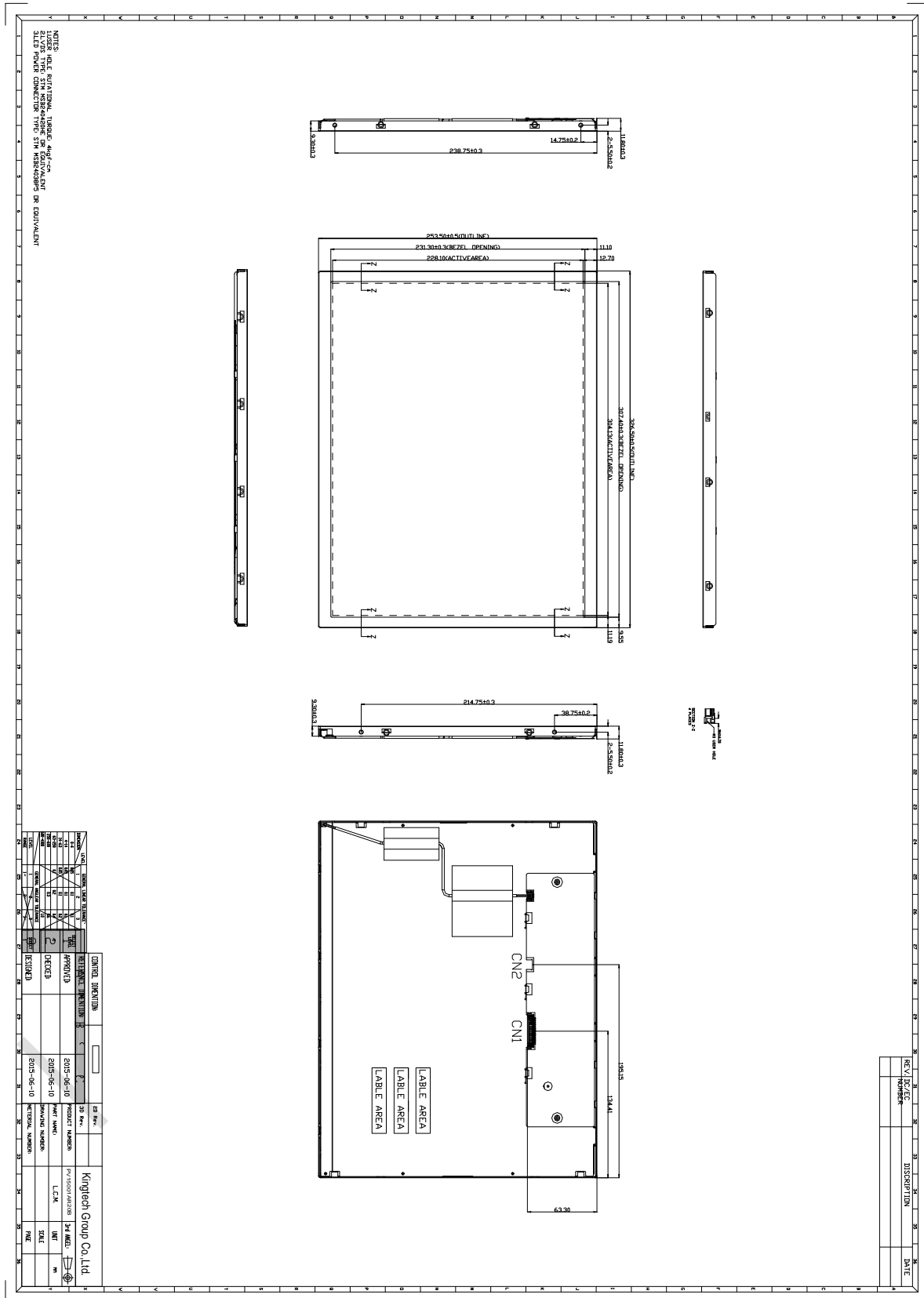
Note2: Ta is the ambient temperature of sample.

Note3: Before cosmetic and function test, the product must have enough recovery time, at least 2 hours at room temperature.

Note 4: In the standard condition, there shall be no practical problem that may affect the display function. After the reliability test, the product only guarantees operation, but don't guarantee all of the cosmetic specification.



9 Mechanical Drawing





10 MARKINGS

Date code:

1st Character Year Codes

Month	2010	2011	2012	2013	2014	2015	2016	2017	2018	So on
Code	0	1	2	3	4	5	6	7	8	

2nd Character Month Codes

Month	January	February	March	April	May	June	July	August	September	October	November	December
Code	1	2	3	4	5	6	7	8	9	A	B	C

3rd Character Day Codes

Day	1st	2nd	3rd	4th	5th	6th	7th	8th	9th	10th	11st
Code	1	2	3	4	5	6	7	8	9	A	B
Day	12nd	13rd	14th	15th	16th	17th	18th	19th	20th	21st	22nd
Code	C	D	E	F	G	H	I	J	K	L	M
Day	23rd	24nd	25st	26nd	27rd	28th	29th	30th	31st		
Code	N	O	P	Q	R	S	T	U	V		

Note2: Do not attach anything such as label and so on, on the product label! In case repair the product, AVIC needs the contents of product label such as the lot number, inspection date and so on, to identify the warranty period with individual product. If AVIC cannot decipher the contents of product label, such repair shall be entitled to charge. Also AVIC may give a new lot number to reconditioned products.



11 PACKING, TRANSPORTATION AND DELIVERY

Kingtech will pack products to deliver to customer in accordance with Kingtech packing specifications, and will deliver products to customer in such a state that products will not suffer from a damage during transportation .The delivery conditions are as follows.

11.1 PACKING

(1) Packing box

10 products are packed up with the maximum in a packing box (See "11.5 OUTLINE FIGURE FOR PACKING").

Products are put into a plastic bag for prevention of moisture with cushion, and then the bag is sealed up with heat sealing.

The type name and quality are shown on outside of the packing box, either labeling or printing.

(2) Pallet Packing

① Packing boxes are tied on a cardboard pallet. (4 boxes×3 tiers maximum)

② Cardboard sleeve and top cap are attached to the packing boxes, and then they are fixed by a band.

11.2 INSPECTION RECORD SHEET

Inspection record sheets are included in the packing box with delivery products to customer. It is summarized to a number of products for pass/fail assessment.

11.3 TRANSPORTATION

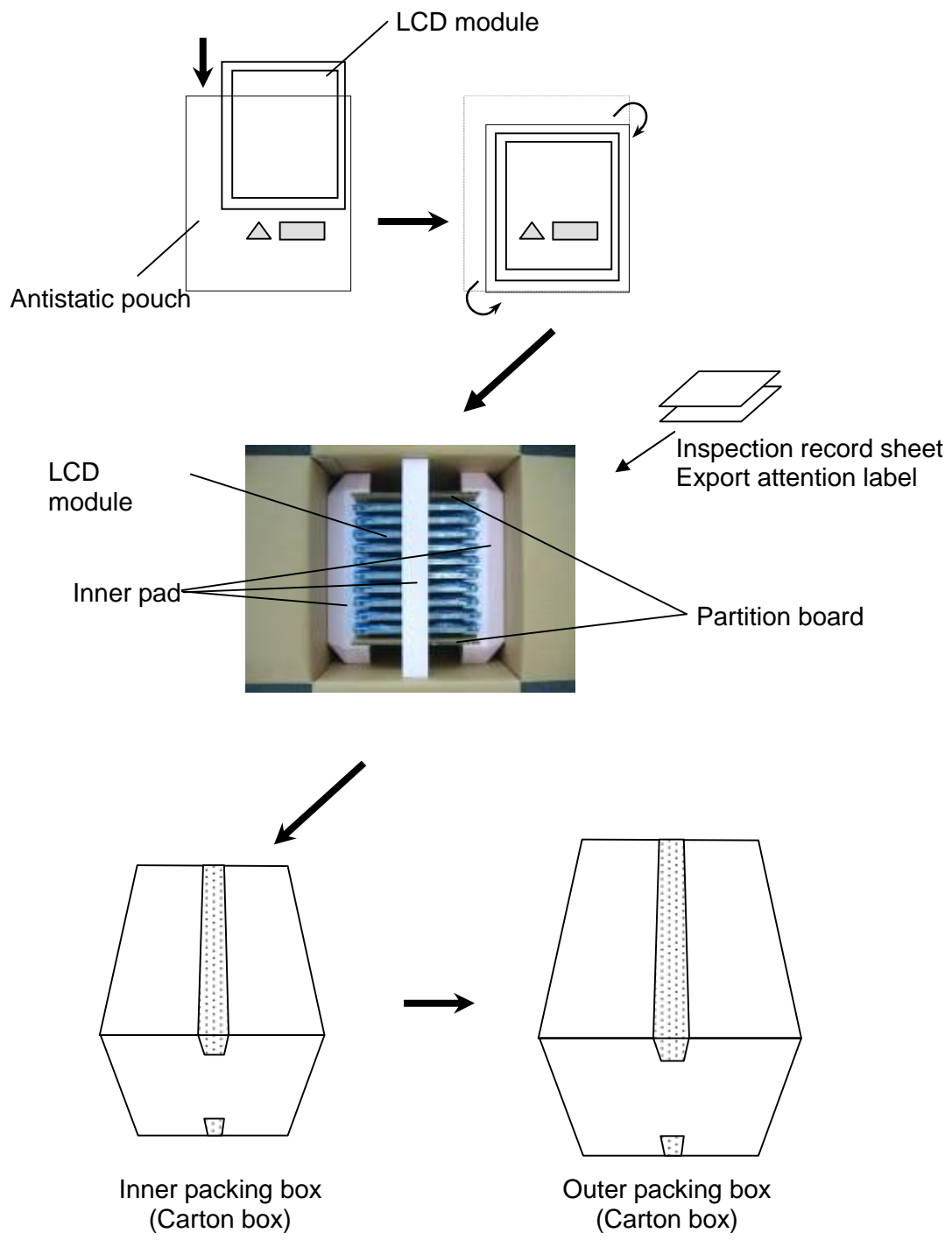
The product is transported by vehicle, aircraft or shipment in the state of pallet packing.

11.4 Packing Material

No	Item	Model(Material)	Dimensions (mm)	Unit Weight (Kg)	Quantity	Remark
1	LCM module	PV15001AR20B	326.5x253.5x11.8	1	10	
2	Partition board	Corrugated paper	384x256	0.02	2	
3	Anti-static Bag	LD-PE	435x325x0.05	0.001	10	Anti-static
4	EPP1	EPP	424x355x95	0.25	2	
5	EPP2	EPP	424x75x50	0.1	1	
6	Carton-inside	Corrugated paper	438x402x464	1.2	1	
7	Model Label	Paper		0.001	10	
8	Barcode Label	Paper		0.001	1	
9	Total weight	12.1KG±5%				



11.5 OUTLINE FIGURE FOR PACKING





12 Precautions for Use of LCD Modules

12.1 Handling Precautions

12.1.1 The display panel is made of glass. Do not subject it to a mechanical shock by dropping it from a high place, etc.

12.1.2 If the display panel is damaged and the liquid crystal substance inside it leaks out, be sure not to get any in your mouth, if the substance comes into contact with your skin or clothes, promptly wash it off using soap and water.

12.1.3 Do not apply excessive force to the display surface or the adjoining areas since this may cause the color tone to vary.

12.1.4 The polarizer covering the display surface of the LCD module is soft and easily scratched. Handle this polarizer carefully.

12.1.5 If the display surface is contaminated, breathe on the surface and gently wipe it with a soft dry cloth. If still not completely clear, moisten cloth with one of the following solvents:

- Isopropyl alcohol
- Ethyl alcohol

Solvents other than those mentioned above may damage the polarizer. Especially, do not use the following:

- Water
- Ketone
- Aromatic solvents

12.1.6 Do not attempt to disassemble the LCD Module.

12.1.7 If the logic circuit power is off, do not apply the input signals.

12.1.8 To prevent destruction of the elements by static electricity, be careful to maintain an optimum work environment.

12.1.8.1 Be sure to ground the body when handling the LCD Modules.

12.1.8.2 Tools required for assembly, such as soldering irons, must be properly ground.

12.1.8.3 To reduce the amount of static electricity generated, do not conduct assembly and other work under dry conditions.

12.1.8.4 The LCD Module is coated with a film to protect the display surface. Be care when peeling off this protective film since static electricity may be generated.

12.2 Storage precautions

12.2.1 When storing the LCD modules, avoid exposure to direct sunlight or to the light of fluorescent lamps.

12.2.2 The LCD modules should be stored under the storage temperature range. If the LCD modules will be stored for a long time, the recommend condition is:

Temperature : 0°C ~ 40°C Relatively humidity: ≤80%

12.2.3 The LCD modules should be stored in the room without acid, alkali and harmful gas.

12.3 Transportation Precautions

12.3.1 The LCD modules should be no falling and violent shocking during transportation, and also should avoid excessive press, water, damp and sunshine.