



CUSTOMER APPROVE

SPECIFICATION

Edition : Preliminary spec 1.0

Date of issue : 2022-05-03

ProductNo.: PV215003Y0630D

APPROVED	CHECKED	PREPARED
Wei Yan	ZhongCai Liang	YongHeng Jia



Revision History

Date	Rev.	Page	Old Description	New Description	Remark
2022-05-03	1.0	All	The specification was first issued		



CONTENTS

Introduction

Revision history

1. General Description	4
1.1 Display Characteristics	4
1.2 Optical Characteristics	5
2. Absolute Maximum Ratings	9
2.1 TFT LCD Module	9
2.2 Electrical characteristics	10
3. Electrical Specification	10
3.1 Blok Diagraen	10
3.2 Connector Pin Assignment	11
3.3 Electrical Characteristics	11
3.4 Signal Characteristics	12
4. Reliability Test Items(TBD)	16
5. International Standard	17
5.1 Safety	17
5.2 EMC	17
6. Label and Packing	18
7. Precaution	20
7.1 Assembly and handling precautions	20
7.2 Safety percautings	20



1. General Description

This specification applies to the 21.5 inch wide Colora-Si TFT-LCD Module PV215003Y0630D

The display supports the Full HD -1920(H) x 1080(V) screen format and 16.7M colors (8 bits RGB data input). The input interface is Dual channel LVDS and this module doesn't contain a driver board for backlights.

1.1. Display Characteristics

The following items are characteristics summary on the table under 25°C condition:

ITEMS	Unit	SPECIFICATIONS
Screen Diagonal	[mm]	546.86(21.53")
Active Area	[mm]	476.64 (H) ×268.11 (V)
Pixels H x V	-	1920 x 3(RGB)×1080
Pixels Pitch	[um]	248.25(per one triad) × 248.25
Pixels Arrangement	-	R.G.B. Vertical Stripe
Display Mode	-	VA Mode, Normally Black
White Luminance(Center)	[cd/m ²]	350 (Typ.)
Contrast Ratio	-	3000 (Typ.)
Response Time	[msec]	18ms (Typ.on/off)
Power Consumption(LCD Module+Backlight unit)	[Watt]	17.5 (Typ.) LCD module : PDD (Typ.)=3.1 @ all white pattern, Fv=60Hz Backlight unit : PBLU (Typ.) =16.8 @Is=240mA
Viewing Angle	[degree]	89/89/89/89
Outline Dimension	[mm]	495.6(H) x 292.2(V) x 10.6(D) (Typ.)
Electrical Interface	-	Dual Channel LVDS
Support Color		16.7M colors (RGB 6 - bits +Hi - FRC data)
Surface Treatment		Anti - glare type, Hardness 3H
Temperature Range Operating Storage(Shipping)	[oC] [oC]	0 to +50°C -20 to+60°C



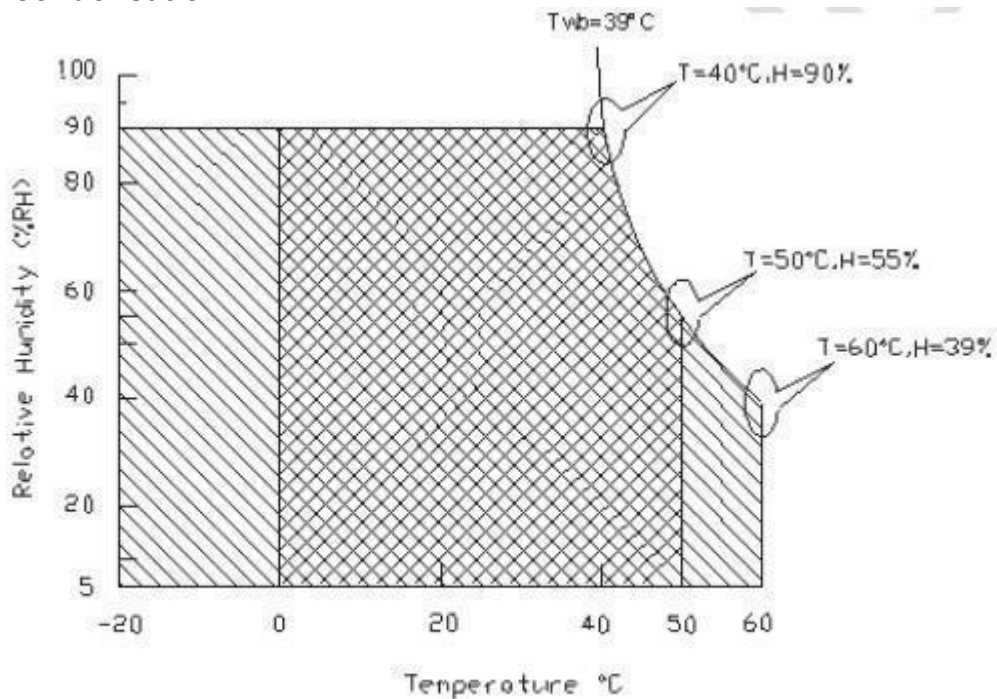
1.2 Absolute Maximum Rating of Environment

Permanent damage may occur if exceeding the following maximum rating.

Symbol	Description	Min.	Max.	Unit	Remark
TOP	Operating Temperature	0	+50	[°C]	Note 2-1
TGS	Glass surface temperature	0	+65	[°C]	Note 2-1 Function judged only
HOP	Operation Humidity	5	90	[%RH]	Note 2-1
TST	Storage Temperature	-20	+60	[°C]	
HST	Storage Humidity	5	90	[%RH]	

Note 2-1 : Temperature and relative humidity range are shown as the below figure.

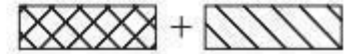
1. 90% RH Max($T_a \leq 39^\circ\text{C}$)
2. Max wet-bulb temperatuer at 39°C or less.($T_a \leq 39^\circ\text{C}$)
3. No condensation



Operating Range



Storage Range





1.3.Optical Characteristics

The optical characteristics are measured on the following test condition.

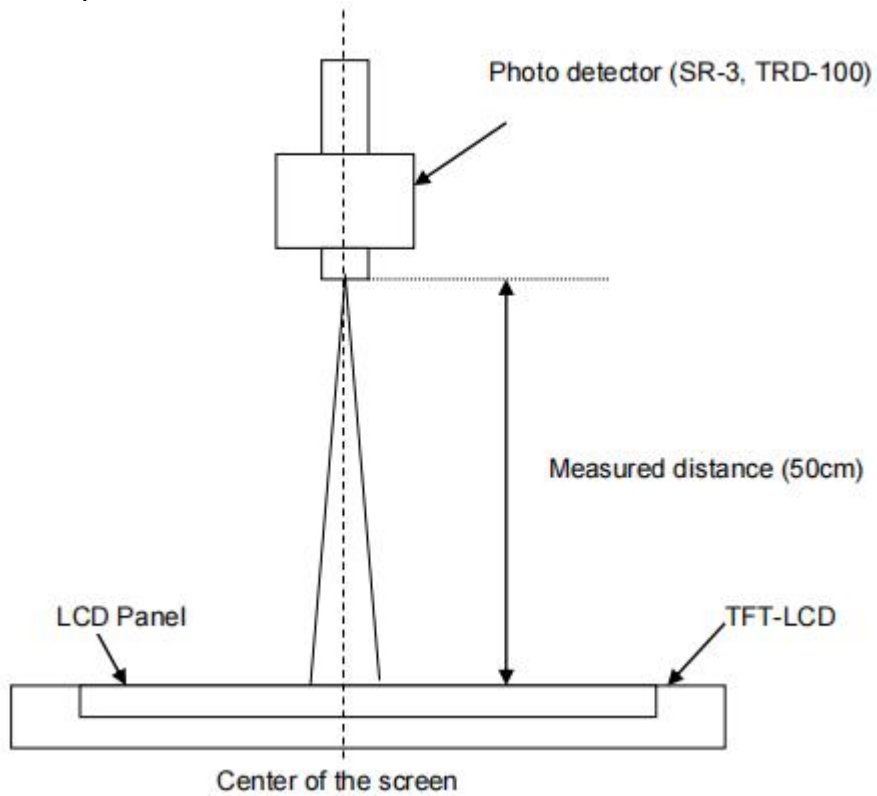
Test Condition:

1. Equipment setup: Please refer to **Note 2 - 2.**
2. Panel Lighting time: 30 minutes
3. VDD=5.0V, Fv=60Hz, Is=60mA, Ta=25°C

Symbol	Description		Min.	Typ.	Max.	Unit	Remark
Lw	White Luminance (Center of screen)		300	350	-	[cd/m ²]	Note 2 - 2 By SR - 3
Luni	Luminance Uniformity (9 points)		75	80	-	%	Note 2 - 3 By SR - 3
Crr	Contrast Ratio (Center of screen)		2000	3000	-	-	Note 2 - 4 By SR - 3
θR	Horizontal Viewing Angle (CR=10)	Right	75	89	-	[degree]	Note 2 - 5 By SR - 3
θL		Left	75	89	-		
ΦH	Vertical Viewing Angle (CR=10)	Up	75	89	-		
ΦL		Down	75	89	-		
θR	Horizontal Viewing Angle (CR=5)	Right	75	89	-		
θL		Left	75	89	-		
ΦH	Vertical Viewing Angle (CR=5)	Up	75	89	-		
ΦL		Down	75	89	-		
TR	Response Time	Rising Time	-	13	28	[msec]	Note 2 - 6 By TRD - 100
TF		Falling Time	-	5	8		
-		Rising + Falling	-	18	36		
Rx	Color Coordinates (CIE 1931)	Red x	0.611	0.641	0.671	-	By SR - 3
Ry		Red y	0.311	0.341	0.371		
Gx		Green x	0.266	0.296	0.326		
Gy		Green y	0.622	0.652	0.682		
Bx		Blue x	0.113	0.143	0.173		
By		Blue y	0.050	0.080	0.110		
Wx		White x	0.253	0.280	0.310		
Wy		White y	0.323	0.353	0.383		
NTSC Area Ratio				72		[%]	By SR-3
CT	Crosstalk		-	-	1.5	[%]	Note 2 - 7 By SR - 3
FdB	Flicker (Center of screen)		-	-	-20	[dB]	Note 2 - 8 By SR - 3



Note2-2: Equipment setup

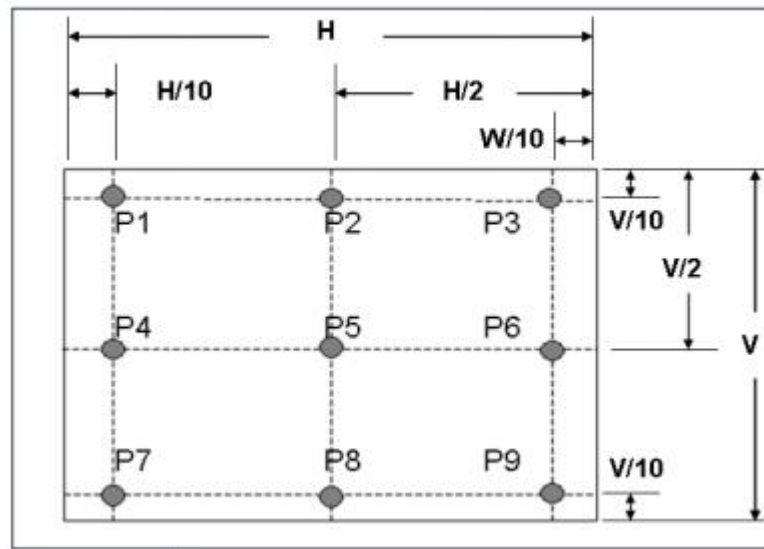


Note 2-3: Luminance Uniformity Measurement

Definition:

$$\text{Luminance Uniformity} = \frac{\text{Minimum Luminance of 9Points(P1~P9)}}{\text{Maximum Luminance of 9Points(P1~P9)}}$$

a. Test pattern: White Pattern





Note 2-4: Contrast Ratio Measurement

Definition:

$$\text{Contrast Ratio} = \frac{\text{Luminance of White pattern}}{\text{Luminance of Black pattern}}$$

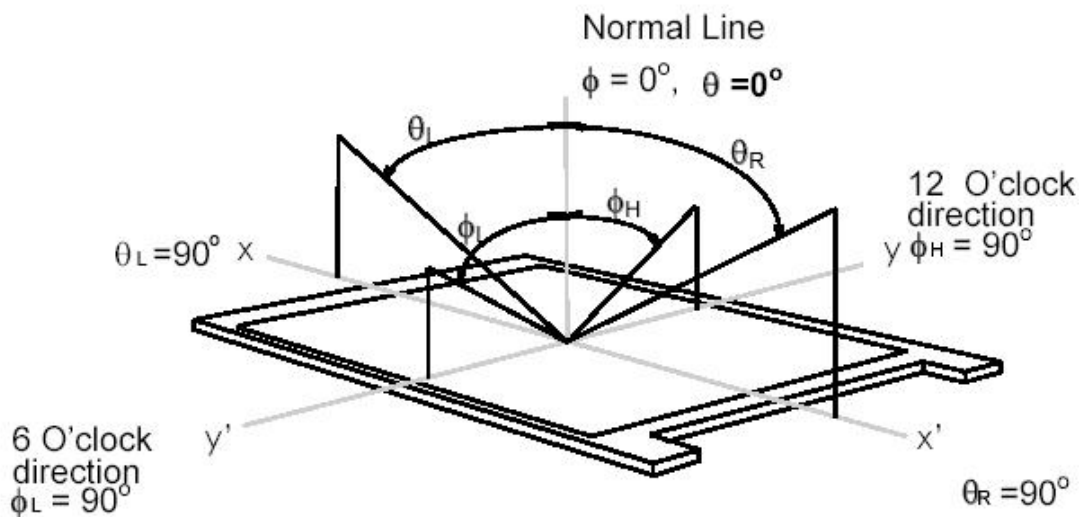
- a. Measured position: Center of screen (P5) & perpendicular to the screen ($\theta = \Phi = 0^\circ$)

Note 2-5: Viewing angle measurement

Definition: The angle at which the contrast ratio is greater than 10 & 5.

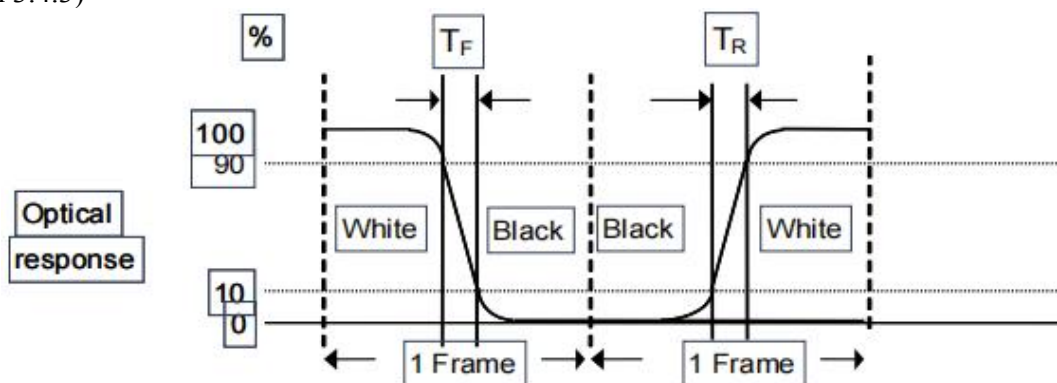
- a. Horizontal view angle: Divide to left & right (θ_L & θ_R)

Vertical view angle: Divide to up & down (Φ_H & Φ_L)



Note 2-6: Response time measurement

The output signals of photo detector are measured when the input signals are changed from “Black” to “White” (rising time, T_R), and from “White” to “Black” (falling time, T_F), respectively. The response time is interval between the 10% and 90% of optical response. (Black & White color definition: Please refer section 3.4.3)





Note 2-7: Crosstalk measurement

Definition:

$$CT = \text{Max. } (CT_H, CT_V);$$

Where

a. Maximum Horizontal Crosstalk :

$$CT_H = \text{Max. } (| Y_{BL} - Y_{AL} | / Y_{AL} \times 100 \%, | Y_{BR} - Y_{AR} | / Y_{AR} \times 100 \%);$$

Maximum Vertical Crosstalk:

$$CT_V = \text{Max. } (| Y_{BU} - Y_{AU} | / Y_{AU} \times 100\%, | Y_{BD} - Y_{AD} | / Y_{AD} \times 100 \%);$$

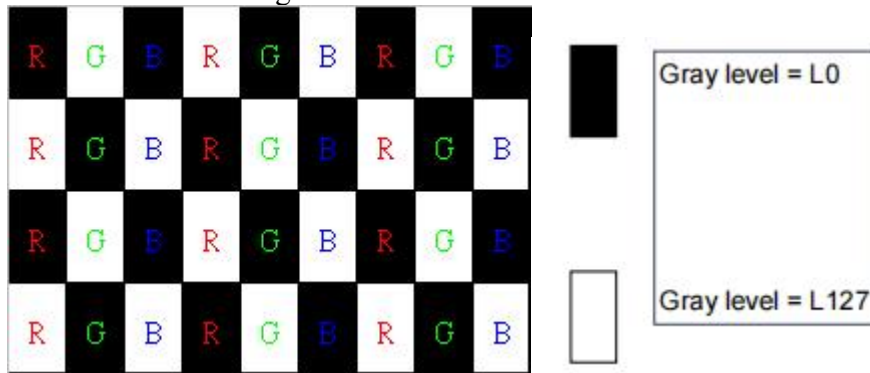
b. $Y_{AU}, Y_{AD}, Y_{AL}, Y_{AR}$ = Luminance of measured location without Black pattern

$Y_{BU}, Y_{BD}, Y_{BL}, Y_{BR}$ = Luminance of measured location with Black pattern



Note 2-8: Flicker measurement

a. Test pattern: It is listed as following.



R: Red, G: Green, B: Blue

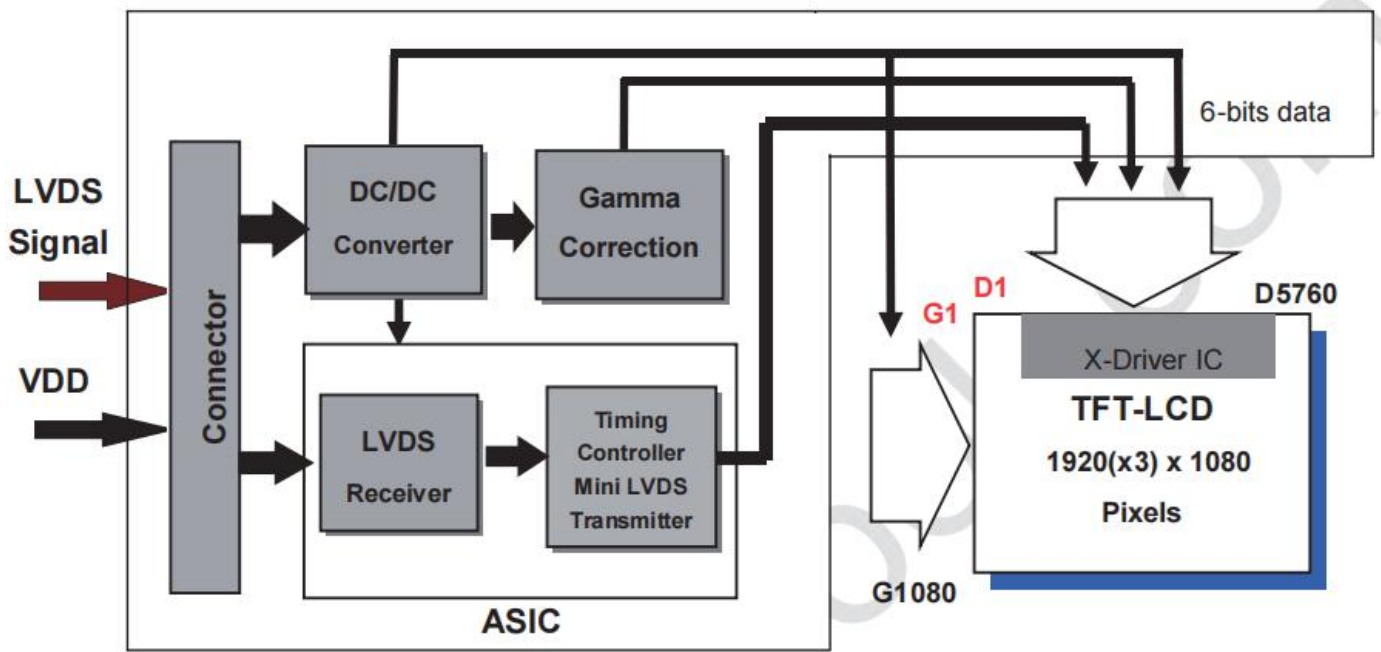
b. Measured position: Center of screen (P5) & perpendicular to the screen ($\theta = \Phi = 0^\circ$)



2. TFT-LCD Module

2.1. Block Diagram

The following shows the block diagram of the 21.5inch Color TFT-LCD Module.



2.2 Interface Connection

2.2.1 Connector Type

TFT-LCD Connector	Manufacturer	P-TWO	STM
	Part Number	AL230F-A0G1D-P	MSCKT2407P30HB
Mating Connector	Manufacture	JAE	
	Part Number	FI-X30HL (Locked Type)	



2.2.2 LCD Connector Pin Assignment

PIN#	SIGNAL NAME	DESCRIPTION
1	RxOIN0-	Negative LDVS differential data input (Odd data)
2	RxOIN0+	Positive LDVS differential data input (Odd data)
3	RxOIN1-	Negative LDVS differential data input (Odd data)
4	RxOIN1+	Positive LDVS differential data input (Odd data)
5	RxOIN2-	Negative LDVS differential data input (Odd data)
6	RxOIN2+	Positive LDVS differential data input (Odd data)
7	GND	Power Ground
8	RxOCLKIN-	Negative LDVS differential data input (Odd clock)
9	RxOCLKIN+	Positive LDVS differential data input (Odd clock)
10	RxOIN3-	Negative LDVS differential data input (Odd data)
11	RxOIN3+	Positive LDVS differential data input (Odd data)
12	RxEIN0-	Negative LDVS differential data input (Even data)
13	RxEIN0+	Positive LDVS differential data input (Even data)
14	GND	Power Ground
15	RxEIN1-	Negative LDVS differential data input (Even data)
16	RxEIN1+	Positive LDVS differential data input (Even data)
17	GND	Power Ground
18	RxEIN2-	Negative LDVS differential data input (Even data)
19	RxEIN2+	Positive LDVS differential data input (Even data)
20	RXECLKIN-	Negative LDVS differential data input (Even clock)
21	RXECLKIN+	Positive LDVS differential data input (Even clock)
22	RxEIN3-	Negative LDVS differential data input (Even data)
23	RxEIN3+	Positive LDVS differential data input (Even data)
24	GND	Power Ground
25	NC	No connection (For AUO test only.Do not connect)
26	NC	No connection (For AUO test only.Do not connect)
27	NC	No connection (For AUO test only.Do not connect)
28	VDD	Power Supply Input Voltage
29	VDD	Power Supply Input Voltage
30	VDD	Power Supply Input Voltage



2.3 Electrical characteristics

2.3.1 Absolute Maximum Rating

Permanent damage may occur if exceeding the following maximum rating.

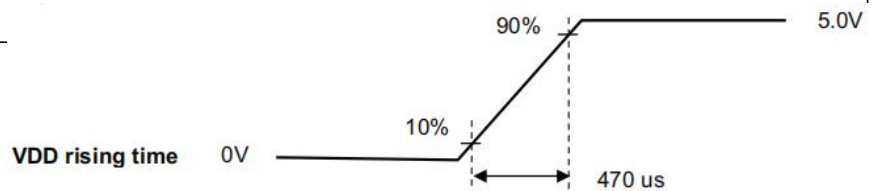
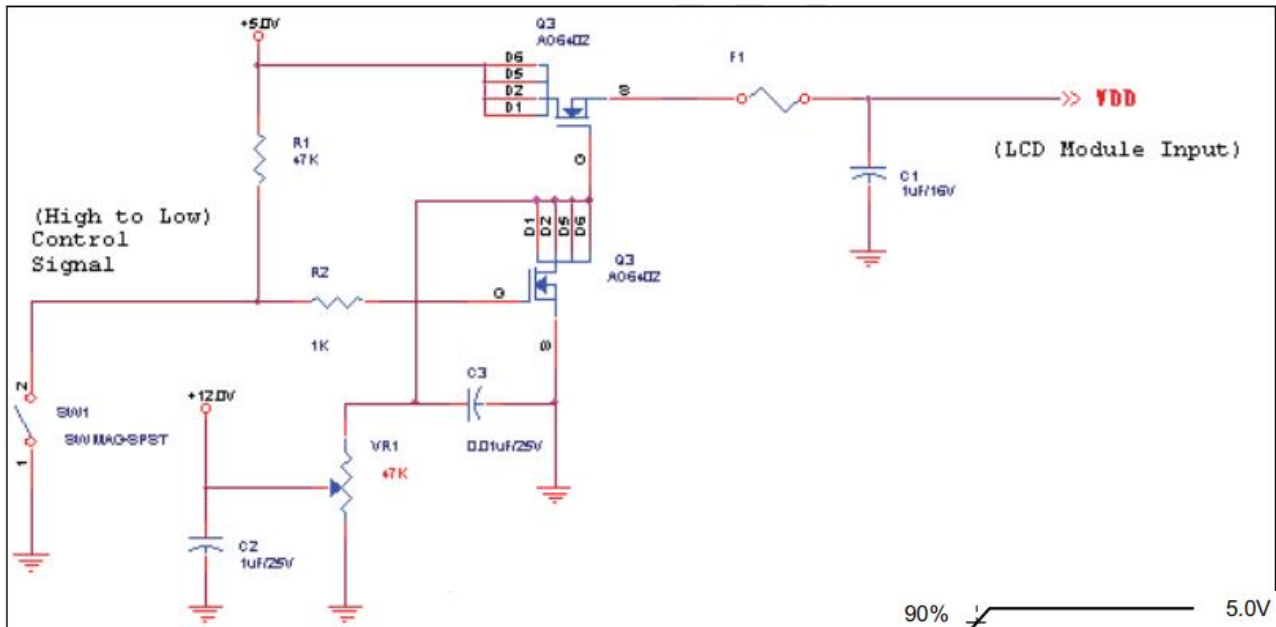
Symbol	Description	Min.	Max.	Unit.	Remark
VDD	Power Supply Input Voltage	GND-0.3	6.0	[Volt]	Ta=25°C

2.3.2 Recommended Operating Condition

Symble	Description	Min.	Typ.	Max.	Unit	Remark
VDD	Power Supply Input Voltage	4.5	5.0	5.5	[Volt]	
IDD	Power Supply Input Current	-	0.62	0.74	[A]	VDD=5V, ALL white Pattern, FV= 60Hz
		-	0.7	0.84	[A]	VDD=5V, ALL white Pattern, FV= 75Hz
IRush	Input Current	-		5	[A]	Note 3-1
PDD	VDD Power Consumption	-	3.1	3.7	[Watt]	VDD=5V, ALL white Pattern, FV= 60Hz
		-	3.5	4.2	[Watt]	VDD=5V, ALL white Pattern, FV= 70Hz
VDDrp	Allowable Logic/LCD Drive Ripple Voltage	-	-	500	[mV]	VDD=5V, ALL white Pattern, FV= 75Hz

Note 3-1: Inrush Current measurement

Test circuit:





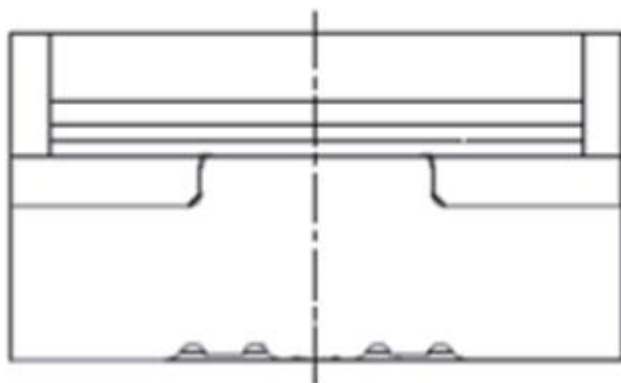
3 Backlight Unit

3.1 Connector Type

Backlight Connector	Manufacturer	ENTERY
	Part Number	3707K-S06N-21R
Mating Connector	Manufacturer	ENTERY
	Part Number	H112K-P06N-00b(Non-Locking type) H112K-P06N-00b(Locking type)

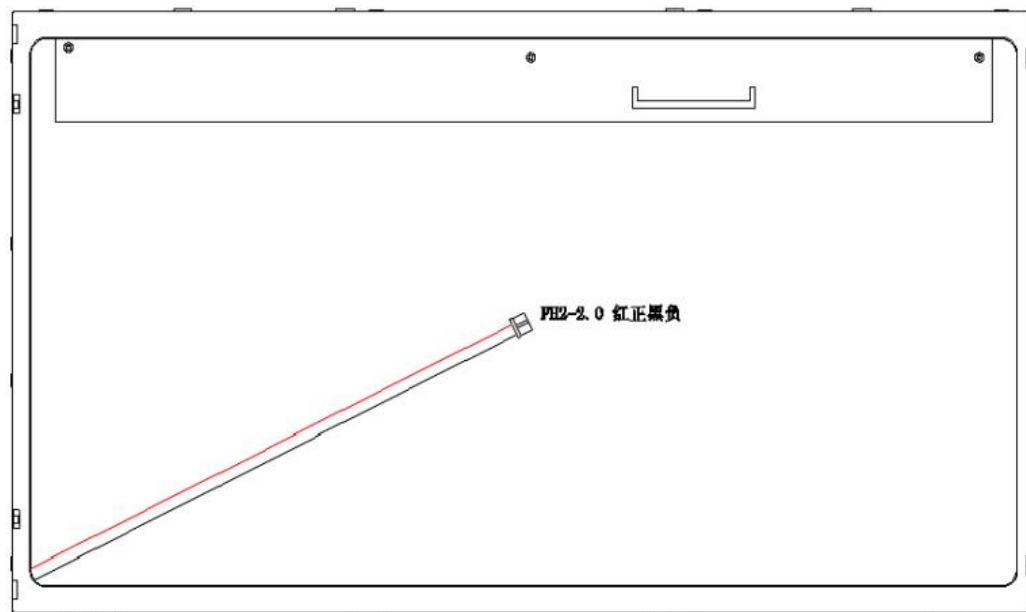
Backlight Connector dimension

H x V x D =13.9 x 3.00x 4.25,pitch =1.0 (unit=mm)



3.1.2 LED Pin Assignment

Pin#	Signal Name
1	Positive Pole
2	Negative Pole





3.2 Electrical Characteristics

3.2.1 Recommended Operating Condition

(Ta=25°C)

Item	Symbol	Min.	Typ.	Max.	Unit
LED operation Voltage	V _{led}	50	-	60	V
LED operation Current	I _{led}	-	240	-	mA
Backlight Power	P _{BL}	12	-	14.4	W
Luminance	L	280	350		nit
LED Life Time		30000			Hrs
Luminance uniformity	ΔL	75	80		%

4 Reliability Test

AUO reliability test items are listed as following table.(Bare panel only)

Items	Condition	Remark
Temperature Humidity Bias(THB)	Ta= 50°C, 80%RH, 300hours	
High Temperature Operation(HTO)	Ta= 50°C, 50%RH, 300hours	
Low Temperature Operation(LTO)	Ta= 0°C, 300hours	
High Temperature Storage (HTS)	Ta= 60°C, 300hours	
Low Temperature Storage (LTS)	Ta= -20°C, 300hours	
Vibration Test (Non-operation)	Acceleration: 1.5 Grms Wave: Random Frequency:10-200 Hz Sweep:30 Minutes each Axis (X,Y,Z)	
Shock Test (Non-operation)	Acceleration: 50Grms Wave: Half-sine Active TIME: 20ms Direction : ± X, ± Y, ± Z(one time for each Axis)	
Thermal Shock Test(TST)	-20°C/30min, 60°C/30min,100 cycles	
On/Off Test	On/10sec,Off/10sec,30,000 cycles	Note 4-1
ESD(Electro Static Discharge)	Contact Discharge: ± 15KV, 150pF(330 Ω) 1sec, 8 points, 25 times/point	Note 4-2
	Air Discharge: ± 15KV, 150pF(330 Ω) 1sec, 8 points, 25 times/point	
Altitude Test	Operation:18,000 ft Non-Operation:40,000ft	



Note 4-1 a. A cycle of rapid temperature change consists of varying the temperature from -20°C to 60°C, And back again. Power is not applied during the test.

b. After finish temperature cycling, the unit is placed in normal room ambient for at least 4 hours before power on.

Note 4-2 EN61000-4-2,ESD class B: Certain performance degradation allowed

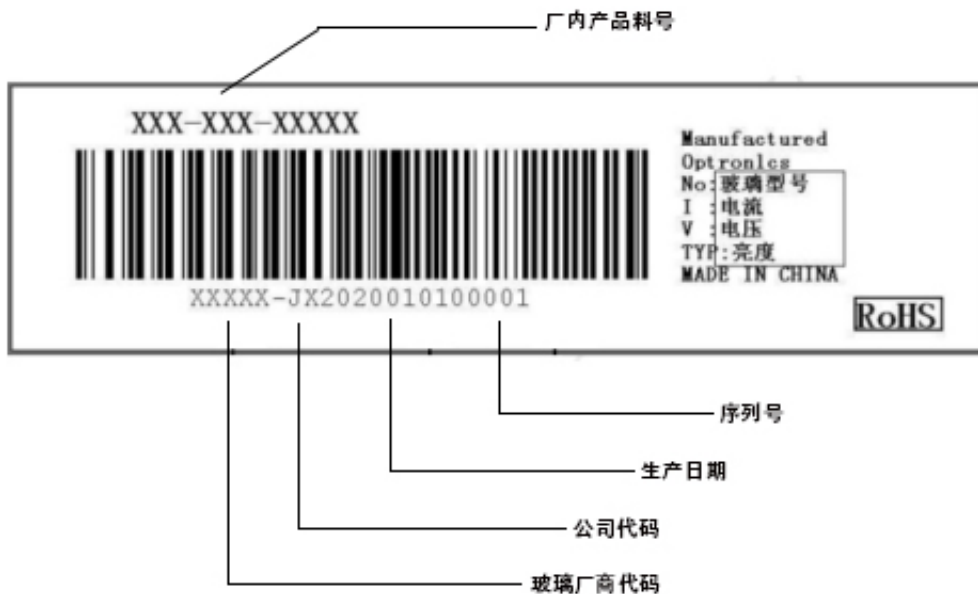
No data lost

Self-recoverable

No hardware failures.

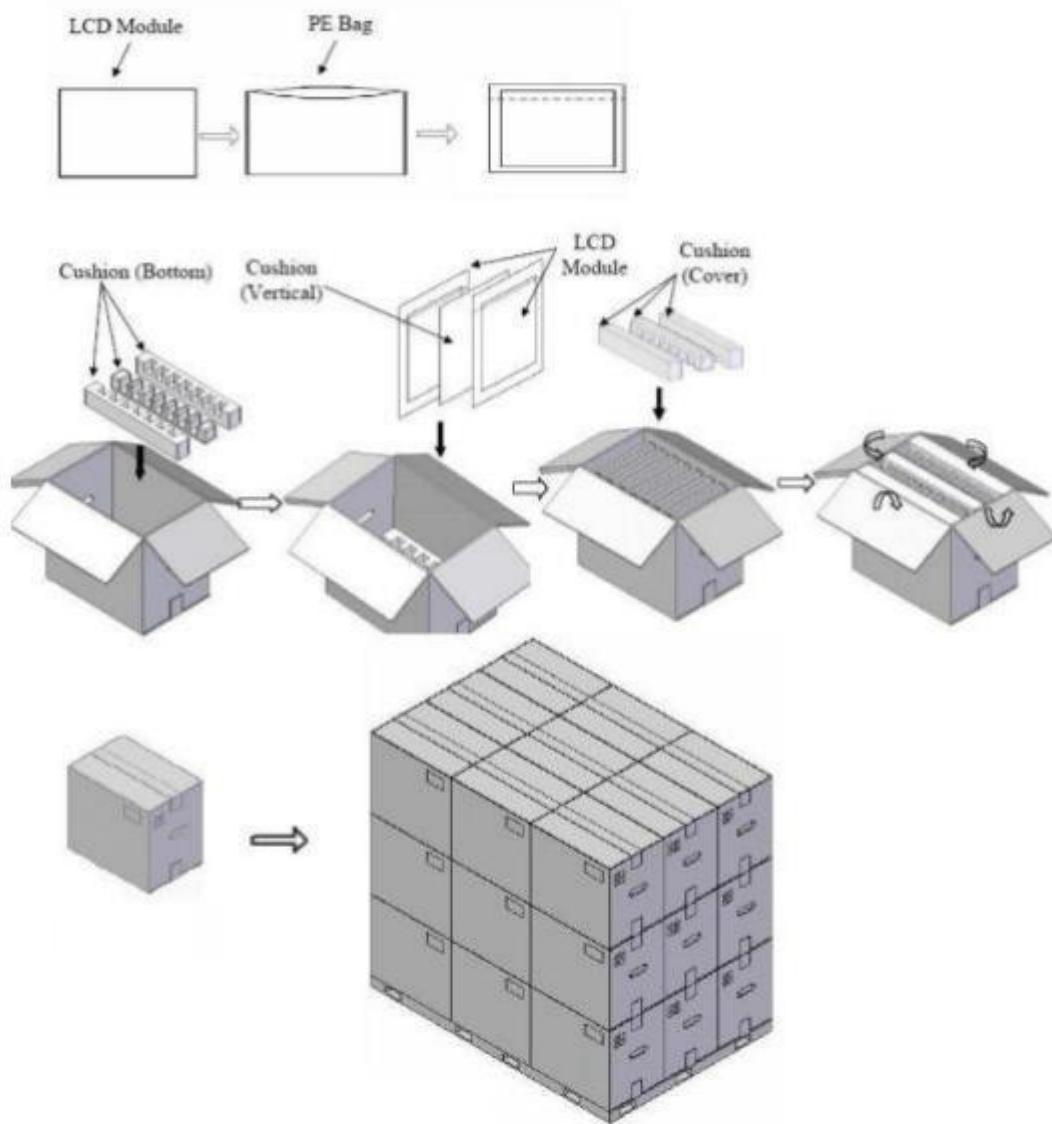
5.Shipping Label

The label is on the panel as shown below





Parameter	Packing box	Unit
Size	555(L)x275(W)x345(H)(typ.)	mm
Weight	1.67(typ.)	kg
Total weight	16.7 (typ.) (with 10 products)	kg





6. PRECAUTION

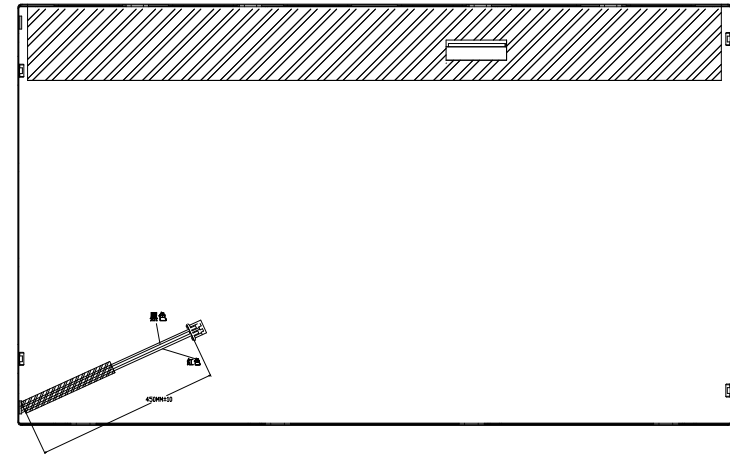
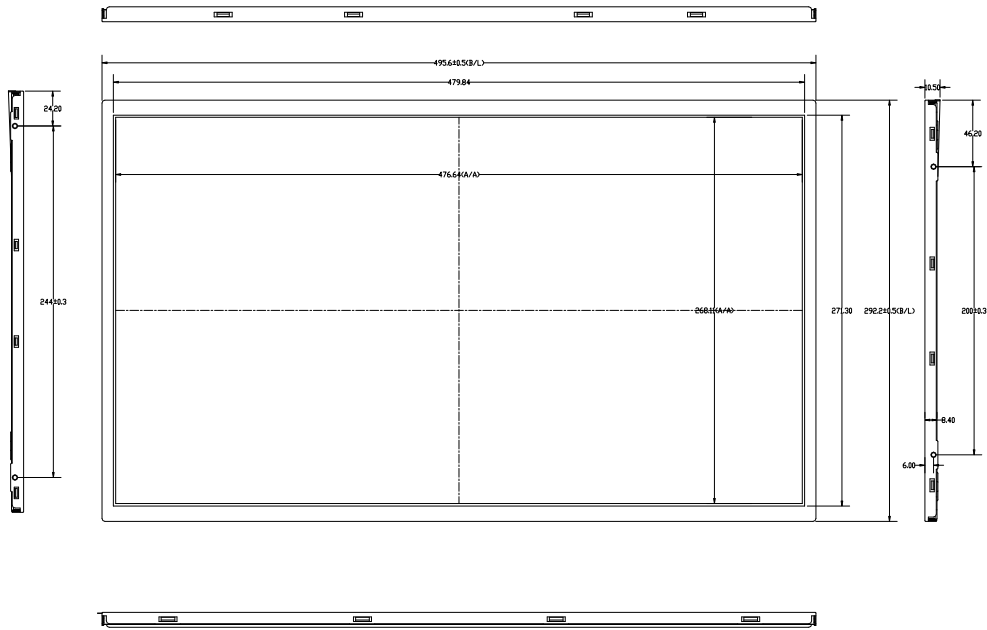
6.1 ASSEMBLY AND HANDLING PRECAUTIONS

1. Do not apply rough force such as bending or twisting to the module during assembly.
2. To assemble or install module into user's system can be in clean working areas. The dust and oil may cause electrical short or worsen the polarizer.
3. It's not permitted to have pressure or impulse on the module because the LCD panel and Backlight will be damaged.
4. Always follow the correct power sequence when LCD module is connecting and operating. This can prevent damage to the CMOS LSI chips during latch-up.
5. Do not pull the I/F connector in or out while the module is operating.
6. Do not disassemble the module. Use a soft dry cloth without chemicals for cleaning, because the surface of polarizer is very soft and easily scratched.
7. It is dangerous that moisture come into or contacted the LCD module, because moisture may damage LCD module when it is operating.
8. High temperature or humidity may reduce the performance of module. Please store LCD module within the specified storage conditions.
9. When ambient temperature is lower than 10 °C may reduce the display quality. For example, the response time will become slowly.

6.2 SAFETY PRECAUTIONS

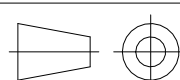
- 1 It is dangerous that moisture come into or contacted the LCD module, because the moisture may damage LCD module when it is operating.
- 2 If the liquid crystal material leaks from the panel, it should be kept away from the eyes or mouth, in case of contact with hands, skin or clothes, it has to be washed away thoroughly with soap.
- 3 After the module's end of life, it is not harmful in case of normal operation and storage.

Rev.	Description	Drawing By	Date	Approved



说明: 输入电压:49.3V-57.8V 电流:240MA
接口为2PIN. 第1 PIN(黑色) 为负极

第2 PIN (红色) 为正极

Kingtech Group Co.,Ltd				PART Name	21.5寸LED液晶屏外形圖			
				PART NO.	PV215003Y0630D			
Designer		Material		Sheet	1 OF 1	REV.	V1	
Drawing By		Scale	1:1	Unless otherwise specified Dimensions are in Tolerances			Third Angle Projection	
Checked By		Units	MM	Metric	Angles			
Approved By		Date	20160306	X.X ±0.2 X.XX ±0.10	±0.5			