

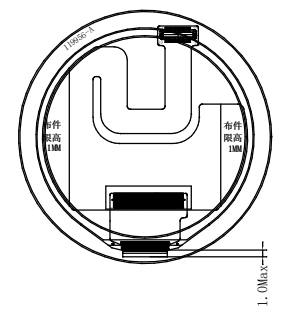
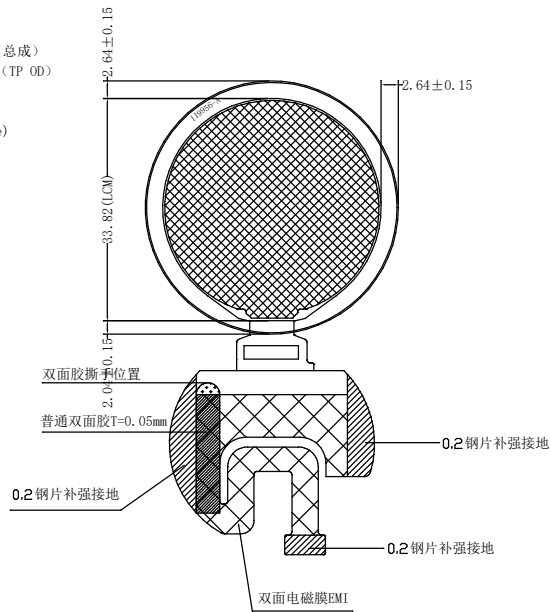
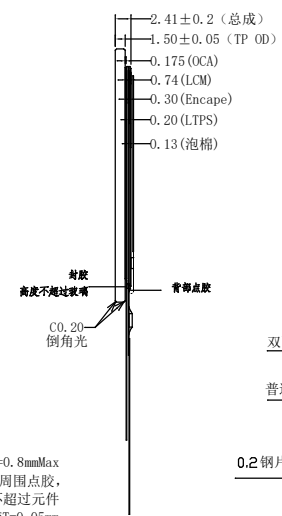
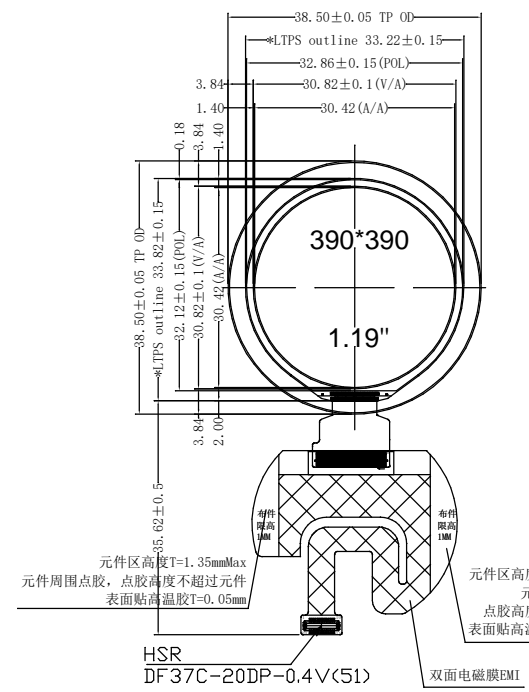
REV.	DESCRIPTION	DATE
A	按客户图纸出图	20230627

正视图

侧视图

背视图

弯折效果图



接口支持: QSPI接口

NO.	SYMBOL
Pin Assignment	
1	SPIC2_CS
2	SPIC2_S100
3	SPIC2_S101
4	SPIC2_SCK
5	SPIC2_S103
6	SPIC2_S102
7	不连接, 不走线(0P)
8	VCI_EN
9	RST
10	80_TE/TE
11	P_VDD/IOVCC (3.3V)
12	不连接, 不走线
13	不连接, 不走线
14	VBAT
15	不连接, 不走线
16	GND
17	GND
18	GND
19	GND
20	GND

NOTES:

- OPERATING TEMPERATURE: -10° C TO 60° C
- STORAGE TEMPERATURE: -20° C TO 70° C
- DRIVING IC: C05300
- DISPLAY MODE: LTPS-AMOLED
- GENERAL TOLERANCE: ±0.20mm
() MEANS DIMENSION FOR REFERENCE
- SPECIAL REQUIRE: NO
- WITH "*" MARK DIMENSIONS ARE IMPORTANT DIMENSIONS.
- WITH "()" MARK DIMENSIONS ARE REFERENCE DIMENSIONS.
- REQUIREMENTS ON ENVIRONMENTAL PROTECTION: ROHS .

APPROVALS	DATE	SCALE 1:1	TITLE
DRAWN: yk		UNIT mm	MODULE
CHECK:			MODEL PV11902F0120C-CO
APPROVAL:			DWG NO A PAGE 1/1
Kingtech Group Co.,Ltd			