



**MODEL NO :** PV084000AR20A  
**MODEL VERSION:** 01  
**SPEC VERSION :** 2.4  
**ISSUED DATE:** 2016-5-16

- Preliminary Specification
- Final Product Specification

**Customer :** \_\_\_\_\_

Approved by	Notes

**TIANMA Confirmed :**

Prepared by	Checked by	Approved by

This technical specification is subjected to change without prior notice.

---



## Table of Contents

Table of Contents.....	2
Record of Revision.....	3
1 General Specifications.....	4
2 Input/Output Terminals.....	5
3 Absolute Maximum Ratings.....	6
4 Electrical Characteristics.....	8
5 Timing Chart.....	11
6 Optical Characteristics.....	15
7 Environmental / Reliability Test.....	18
8 Mechanical Drawing.....	19
9 Packing drawing.....	20
10 Precautions for Use of LCD Modules.....	20





## 1 General Specifications

	Feature	Spec
<b>Display Spec.</b>	Size	8.4 inch
	Resolution	800(RGB) x 600
	Technology Type	a-Si TFT
	Pixel Configuration	R.G.B. Vertical Stripe
	Pixel pitch(mm)	0.213×0.213
	Display Mode	TM,NW
	Surface Treatment	Anti Glare
	Viewing Direction	12 o'clock
	Gray Scale Inversion Direction	6 o'clock
<b>Mechanical Characteristics</b>	LCM (W x H x D) (mm)	203x 142.5 x 5.7
	Active Area(mm)	170.4 (W) X127.8(H)
	With /Without TSP	Without TSP
	Matching Connection Type(CN1)	DF19-20S-1C(HRS)
	Matching Connection Type(CN2)	H208K-P04N-02B (Entry)
	LED Numbers	21 LEDS
	Weight (g)	185.1
<b>Electrical Characteristics</b>	Interface	LVDS 6/8 bit
	Color Depth	16.7M
	Driver IC	NT51008B*2+NT52002*1

Note 1: Viewing direction for best image quality is different from TFT definition. There is a 180 degree shift.

Note 2: Requirements on Environmental Protection: Q/S0002

Note 3: LCM weight tolerance: +/- 5%



## 2 Input/Output Terminals

### 2.1 CN1 pin assignment

**Matching Connector: DF19-20S-1C(HRS)**

Pin	Symbol	I/O	Description	Remark
1	VDD	P	Power supply	
2	VDD	P	Power supply	
3	UD	I	Vertical Reverse Scan Control	Note1
4	LR	I	Horizontal Reverse Scan Control	Note1
5	RxIN1-	I	Negative data 1 for LVDS signal input	
6	RxIN1+	I	Positive data 1 for LVDS signal input	
7	GND	P	Ground	
8	RxIN2-	I	Negative data 2 for LVDS signal input	
9	RxIN2+	I	Positive data 2 for LVDS signal input	
10	GND	P	Ground	
11	RxIN3-	I	Negative data 3 for LVDS signal input	
12	RxIN3+	I	Positive data 3 for LVDS signal input	
13	GND	P	Ground	
14	RxCLKIN-	I	negative clock for LVDS signal input	
15	RxCLKIN+	I	Positive clock for LVDS signal input	
16	GND	P	Ground	
17	SEL68	I	LVDS 6/8 bit selection control High:8bit;Low or NC:6bit	
18	NC	I	No connection	
19	RxIN4-	I	Negative data 4 for LVDS signal input	
20	RxIN4+	I	Positive data 4 for LVDS signal input	

I---Input, O---Output, P--- Power/Ground

**Table 2.1 terminal pin assignments**



**Note1: Scanning direction description**

Scan control input		Scanning direction
UD	LR	
HIGH	HIGH	Down to up, left to right
LOW	LOW	Up to down, right to left
HIGH	LOW	Down to up, right to left
LOW	HIGH	Up to down, left to right

**2.2 CN2 pin assignment (Backlight interface)**

Matching Connector type: H208K-P04N-02B (Entery)

Pin	Symbol	I/O	Description	Remark
1	VBL	P	Backlight Power supply , 12V input	
2	PGND	P	Ground	
3	BL_EN	I	Enable : 3.3V for backlight on ; 0V for backlight off	
4	Dimming	I	Adjust the luminance of LED's	



### 3 Absolute Maximum Ratings

GND=0V, Ta = 25°C

Item	Symbol	MIN	TYP	MAX	Unit	Remark
Power Voltage	VDD	-0.5	3.3	5.0	V	
	VBL	-0.3	12	24	V	
Input voltage	V <sub>IN</sub>	-0.5	3.3	5.0	V	Note1
Operating Temperature	Top	-20	25	70	°C	
Storage Temperature	Tst	-30	25	80	°C	
Relative Humidity (Note2)	RH	--	--	≤95	%	Ta ≤ 40°C
		--	--	≤85	%	40°C < Ta ≤ 50°C
		--	--	≤55	%	50°C < Ta ≤ 60°C
		--	--	≤36	%	60°C < Ta ≤ 70°C
		--	--	≤24	%	70°C < Ta ≤ 80°C
Absolute Humidity	AH	--	--	≤70	g/m <sup>3</sup>	Ta > 70°C

**Table 3 Absolute Maximum Ratings**

Note1: Input voltage include RxIN, RxCLK , SEL68, UD, LR ,EN ,Dimming.

Note2: Ta means the ambient temperature.

It is necessary to limit the relative humidity to the specified temperature range.  
Condensation on the module is not allowed.



## 4 Electrical Characteristics

### 4.1 Recommended Operating Condition

VCC=3.3V, GND=0V, Ta = 25°C

Item	Symbol	Min	Typ	Max	Unit	Remark
POWER Supply Voltage	VDD	3.00	3.30	3.60	V	
Differential input high threshold voltage	<b>R<sub>xvth</sub></b>			+0.1	V	R <sub>xvcm</sub> = 1.2V
Differential input low threshold voltage	<b>R<sub>xvtl</sub></b>	-0.1			V	
Input voltage range (singled-end)	<b>R<sub>xvin</sub></b>	0		2.4	V	
Differential input common mode voltage	<b>R<sub>xvcm</sub></b>	V <sub>id</sub>  /2		2.4- V <sub>id</sub>  /2	V	
Differential input voltage	<b> V<sub>id</sub> </b>	0.2		0.6	V	
Current of VDD Power supply	I <sub>VDD</sub>	-	230	350	mA	Note1
Power consumption of VDD	W <sub>VDD</sub>	-	759	-	mW	
Inrush current of VDD	I <sub>rush</sub>	-	0.88	1.2	A	

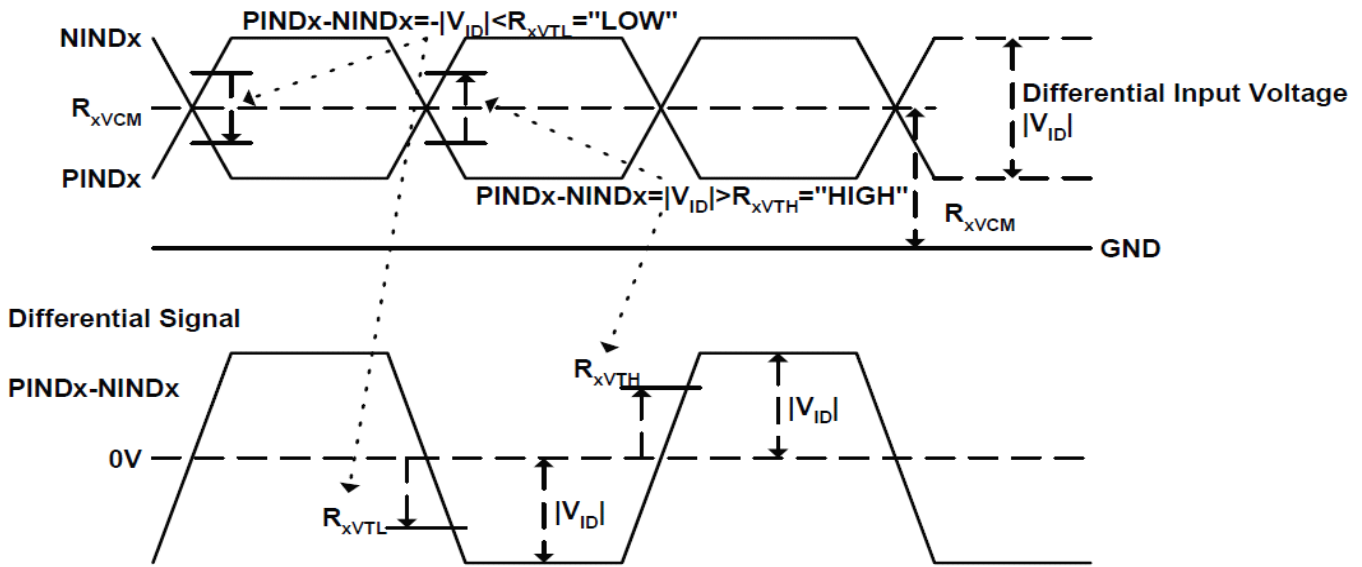
**Table 4.1 LCD module electrical characteristics**

Note1: To test the current dissipation, use “all Black Pattern”.





### Single-end Signals



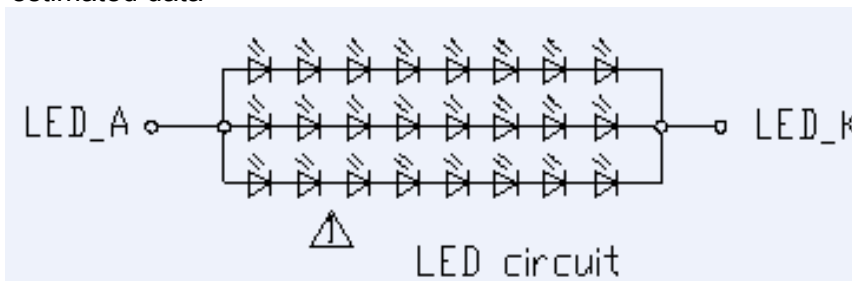
### 4.2 Backlight Unit Driving Condition

LEDGND=GND=0V, Ta = 25°C

Item	Symbol	Min	Typ	Max	Unit	Remark
Voltage of LED driver circuit	VBL	11.5	12	12.5	V	
Current of LED driver circuit	IBL	-	165	240	mA	
Power Consumption	W <sub>BL</sub>	-	1980	-	mW	
Dimming Signal frequency	F <sub>dimming</sub>	0.1		100	KHz	
Dimming Signal duty	100Hz~10KHz	-	0	-	100	%
	10KHz~100KHz	-	10	-	100	%
LED Life time	-	--	(50000)	--	H	

**Table 4.2 LED backlight characteristics**

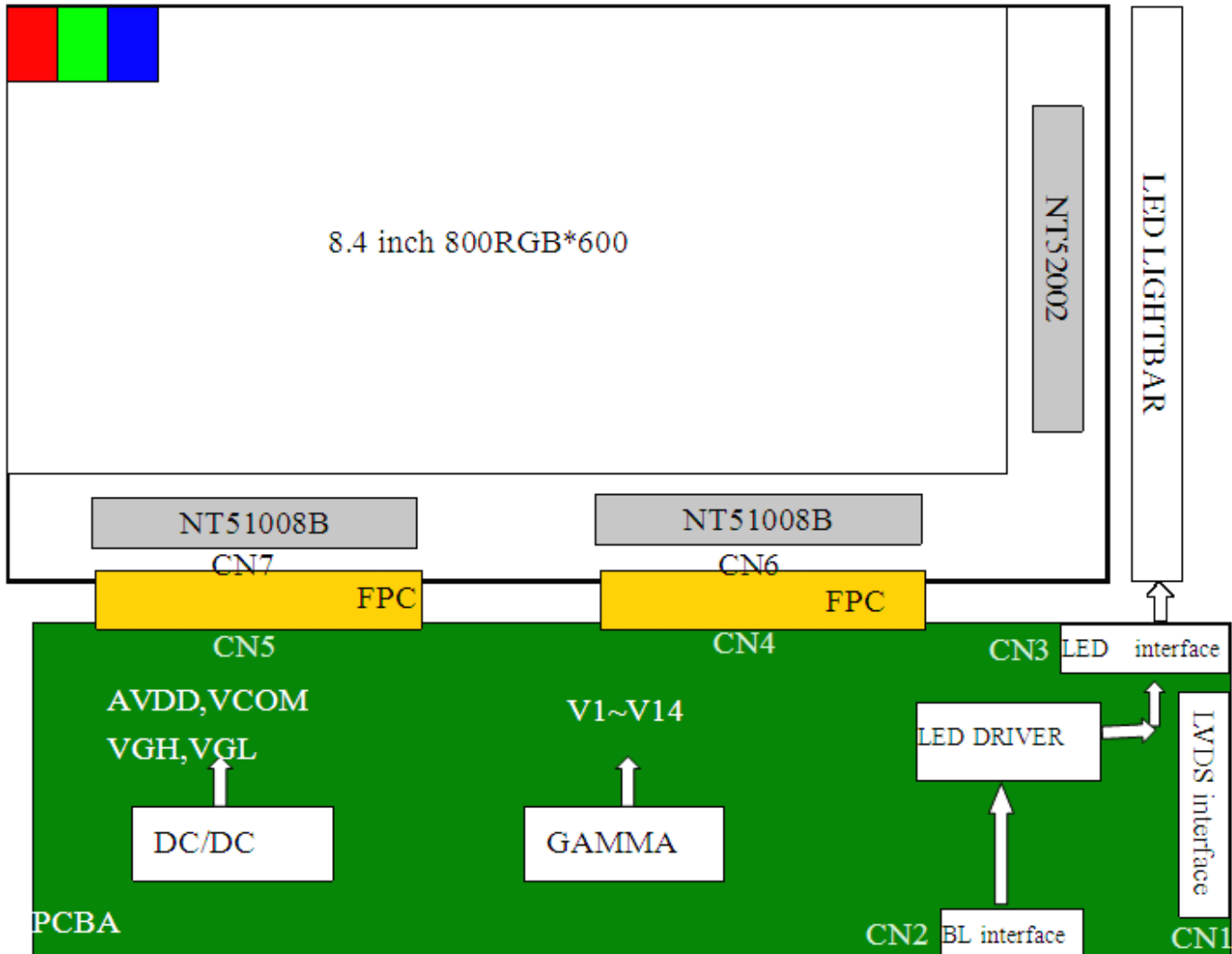
Note 1: If LED is driven by high current, high ambient temperature & humidity condition. The life time of LED will be reduced. Operating life means brightness goes down to 50% initial brightness. Typical operating life time is estimated data



**Figure 4.1 LED connection of backlight**



### 4.3 BLOCK DIAGRAM





## 5 Timing Chart

### 5.1 TFT-LCD Input Timing

VCC=3.3V, GND=0V, Ta=25°C

Parameter	Symbol	Min	Typ	Max	Unit	Remark
DCLK	Fclk	34.5	39.6	49.5	MHz	Tclk=1/Fclk
	Tclk	20.2	25.3	30.7	ns	
HSYNC	TH	900	1000	1200	Tclk	
	THD	-	800	-	Tclk	
	Thwh	1	-	40	Tclk	
	Thbp	-	88	-	Tclk	
	Thfp	12	112	312	Tclk	
VSYNC	TV	640	660	700	TH	
	TVD	-	480	-	TH	
	Tvwh	1	-	20	TH	
	Tvbp	-	39	-	TH	
	Tvfp	1	21	61	TH	

**Table 5.1 TCON input timing(HV mode)**

### 5.2 Recommended Timing Setting Of TCON

#### TCON (Embedded In Source IC) Input timing at DE mode

VCC=3.3V, GND=0V, Ta=25°C

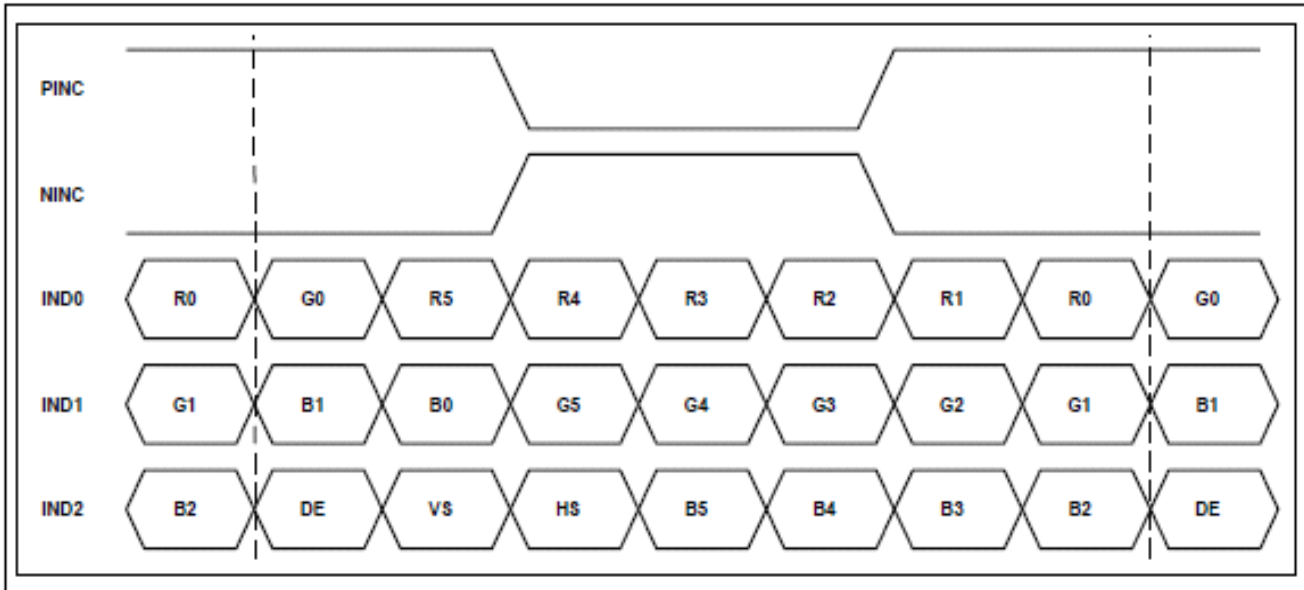
	Parameter	Symb ol	Min.	Typ.	Max.	Unit	Remark
Dclk frequency		Fclk	33	39.6	49.5	MHz	Tclk=1/Fclk
Horizontal section	Horizontal total	TH	890	1000	1300	Tclk	
	Horizontal blanking	THC	90	200	500	Tclk	
	Valid Data Width	THD	-	800	-	Tclk	
Vertical section	Frame rate	-	-	60	-	Hz	
	Vertical total	TV	610	660	800	TH	
	Vertical blanking	TVC	10	60	200	TH	
	Valid Data Width	TVD	-	600	-	TH	

**Table 5.2 TCON input timing (DE mode)**



### 5.3 LVDS Input Data Format

#### 6bit LVDS input



#### 8-bit LVDS input

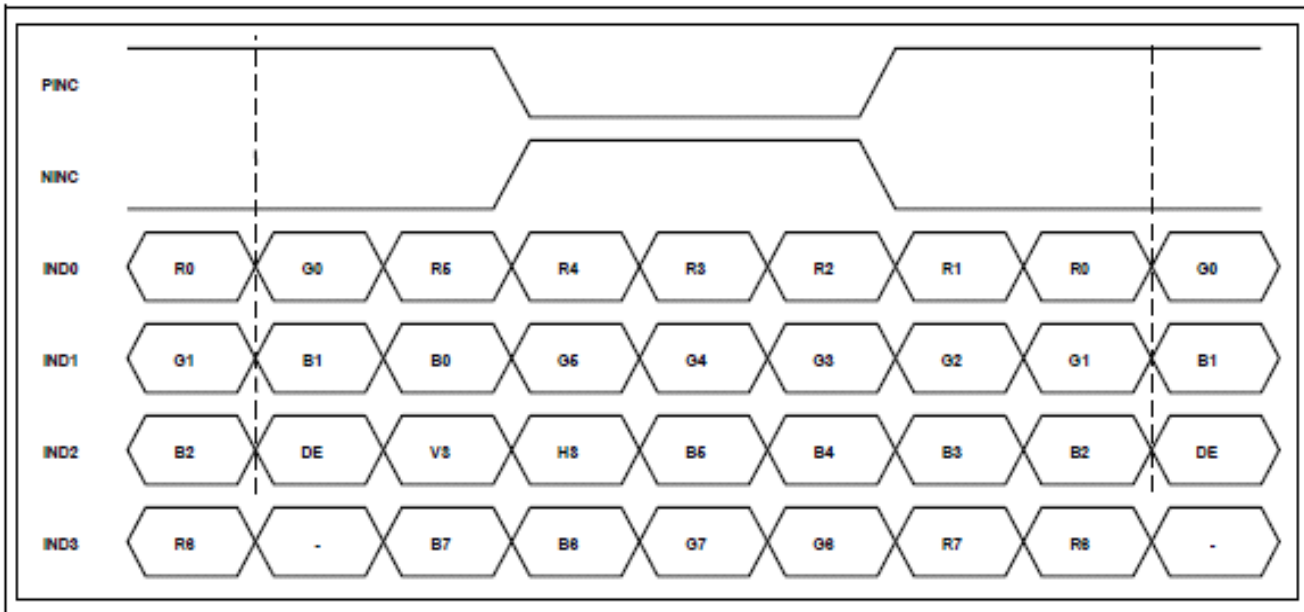


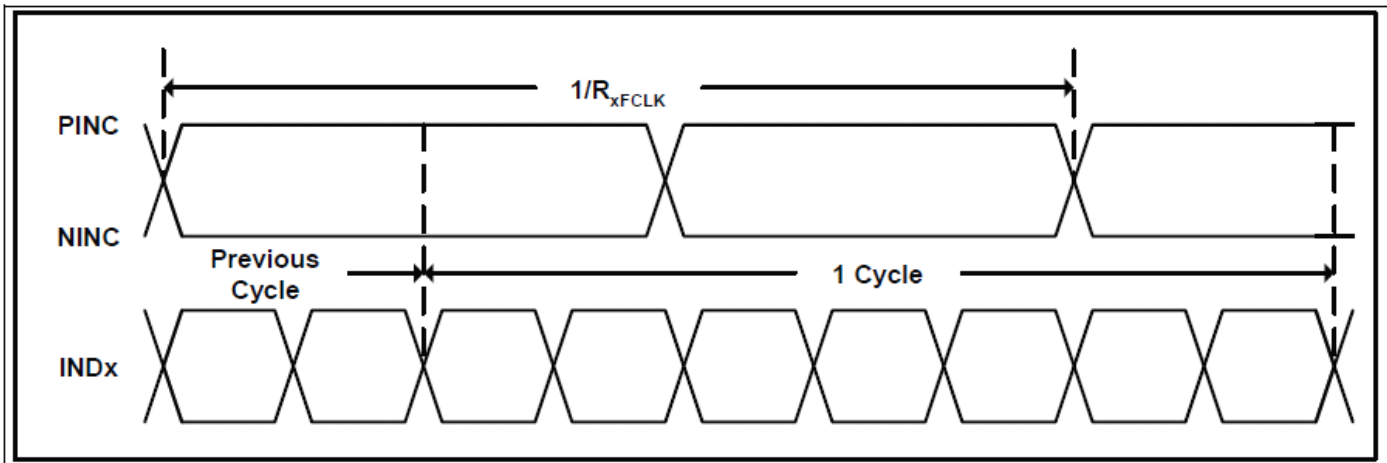
Figure5.1 LVDS input data mapping



**5.4 Input signal AC timing**

Parameter	Symbol	Min.	Typ.	Max.	Unit	Remark
Clock frequency	<b>R<sub>x</sub>FCLK</b>	33	39.6	49.5	MHz	
Clock high time	<b>T<sub>LVCH</sub></b>		4/(7* <b>R<sub>x</sub>FCLK</b> )		nS	
Clock low time	<b>T<sub>LVCL</sub></b>		3/(7* <b>R<sub>x</sub>FCLK</b> )		nS	

**Table 5.3 LVDS clock Input timing**



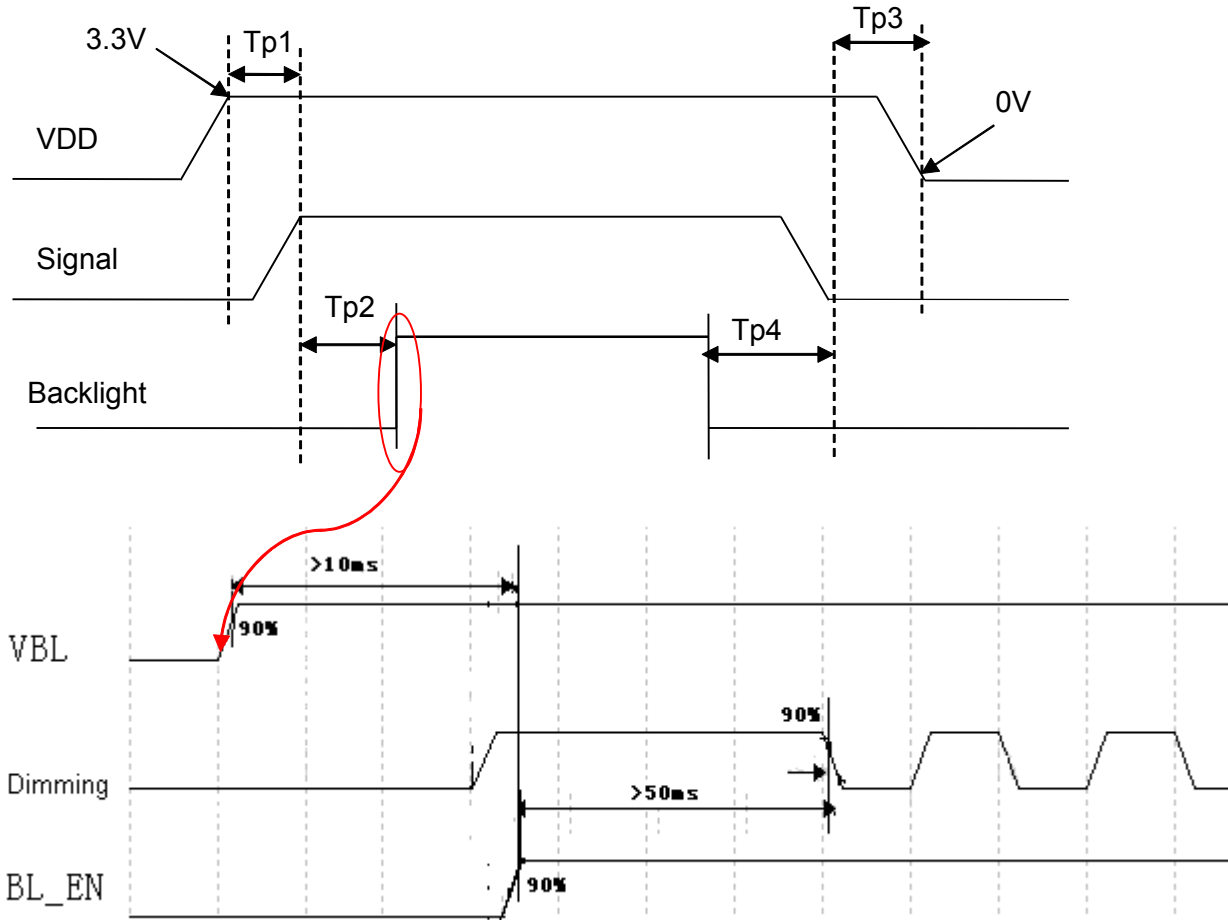
**Figure5.2 Input signal AC timing**



**5.5 POWER ON/OFF SEQUENCE**

Item	Symbol	Min	Typ	Max	Unit	Remark
VDD 3.3V to signal starting	Tp1	5	-	50	ms	
VDD rising time	Tr	0.1	-	20	ms	From 0V to 90% VDD
Signal starting to backlight on	Tp2	150	-	-	ms	
Signal off to VDD 0V	Tp3	5	-	50	ms	
Backlight off to signal off	Tp4	150	-	-	ms	

**Table 5.4 POWER ON/OFF SEQUENCE**



**Figure5.3 Interface power on/off sequence**



## 6 Optical Characteristics

Ta=25°C

Item	Symbol	Condition	Min	Typ	Max	Unit	Remark
View Angles	θT	CR ≥ 10	50	60	-	Degree	Note 2
	θB		60	70	-		
	θL		60	70	-		
	θR		60	70	-		
Contrast Ratio	CR	θ=0°	400	500	-		Note1 Note3
Response Time	T <sub>ON</sub>	25°C	-	20	30	ms	Note1 Note4
	T <sub>OFF</sub>						
Chromaticity	White	Backlight is on	x	0.25	0.300	0.35	Note1 Note5
			y	0.281	0.331	0.381	
	Red		x	0.546	0.596	0.646	
			y	0.281	0.331	0.381	
	Green		x	0.296	0.346	0.396	
			y	0.539	0.589	0.639	
	Blue		x	0.103	0.153	0.203	
			y	0.054	0.104	0.154	
Uniformity	U		70	75	-	%	Note1 Note6
NTSC			45	50	-	%	Note 5
Luminance (Without TP)	L		280	350	-	cd/m <sup>2</sup>	Note1 Note7

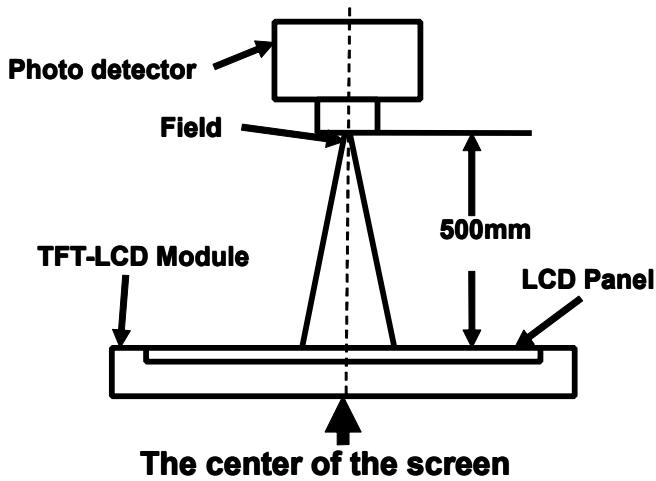
Test Conditions:

1. I<sub>F</sub>= 160 mA, V<sub>F</sub>=9.6 V and the ambient temperature is 25±2°C .humidity is 65±7%
2. The test systems refer to Note 1 and Note 2.



**Note 1: Definition of optical measurement system.**

The optical characteristics should be measured in dark room. After 5 Minutes operation, the optical properties are measured at the center point of the LCD screen. All input terminals LCD panel must be ground when measuring the center area of the panel.

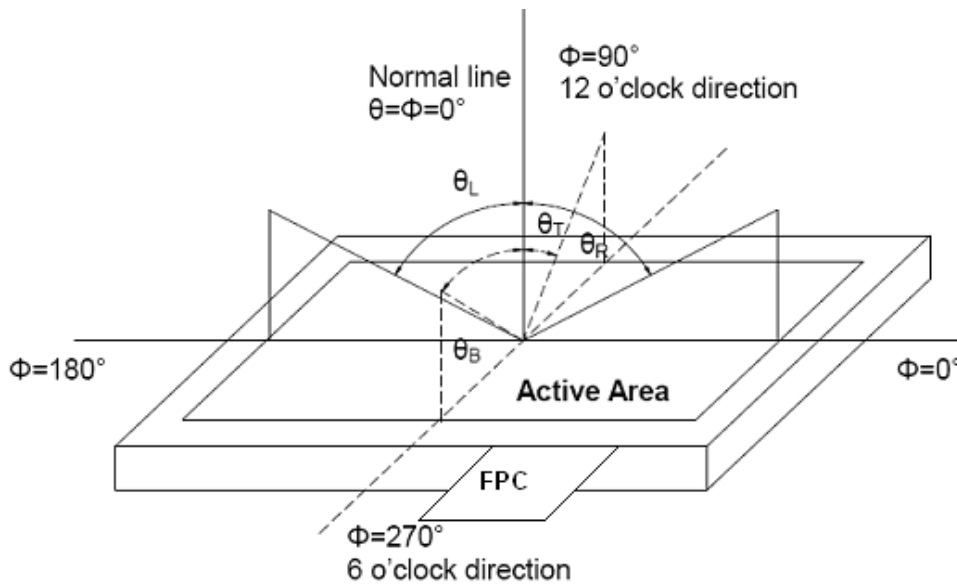


Item	Photo detector	Field
Contrast Ratio	SR-3A	1°
Luminance		
Chromaticity		
Lum Uniformity		
Response Time	BM-7A	2°

**Note**

**2: Definition of viewing angle range and measurement system.**

viewing angle is measured at the center point of the LCD by CONOSCOPE(ergo-80).



**Note 3: Definition of contrast ratio**

$$\text{Contrast ratio (CR)} = \frac{\text{Luminance measured when LCD is on the "White" state}}{\text{Luminance measured when LCD is on the "Black" state}}$$

“White state “: The state is that the LCD should drive by  $V_{white}$ .

“Black state”: The state is that the LCD should drive by  $V_{black}$ .

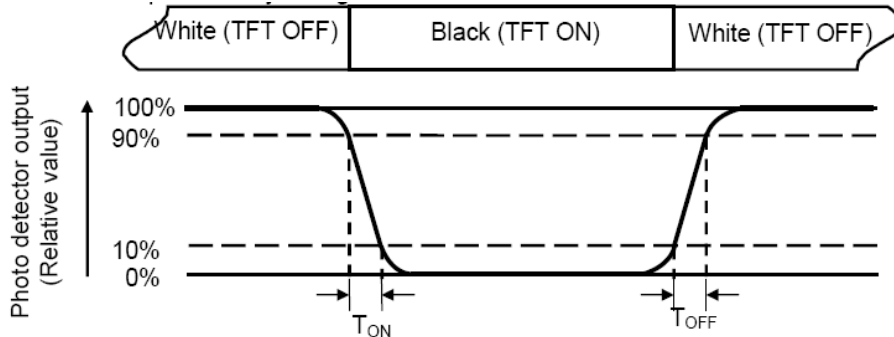
$V_{white}$ : To be determined     $V_{black}$ : To be determined.





**Note 4: Definition of Response time**

The response time is defined as the LCD optical switching time interval between “White” state and “Black” state. Rise time ( $T_{ON}$ ) is the time between photo detector output intensity changed from 90% to 10%. And fall time ( $T_{OFF}$ ) is the time between photo detector output intensity changed from 10% to 90%.



**Note 5: Definition of color chromaticity (CIE1931)**

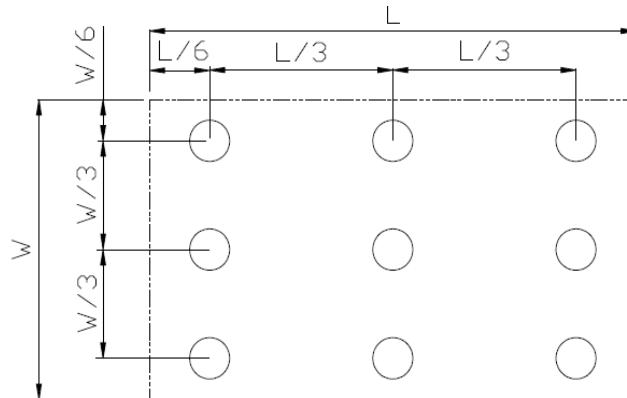
Color coordinates measured at center point of LCD.

**Note 6: Definition of Luminance Uniformity**

Active area is divided into 9 measuring areas (Refer Fig. 2). Every measuring point is placed at the center of each measuring area.

Luminance Uniformity ( $U$ ) =  $L_{min} / L_{max}$

L-----Active area length W----- Active area width



$L_{max}$ : The measured Maximum luminance of all measurement position.

$L_{min}$ : The measured Minimum luminance of all measurement position.

**Note 7: Definition of Luminance:**

Measure the luminance of white state at center point.



## 7 Environmental / Reliability Test

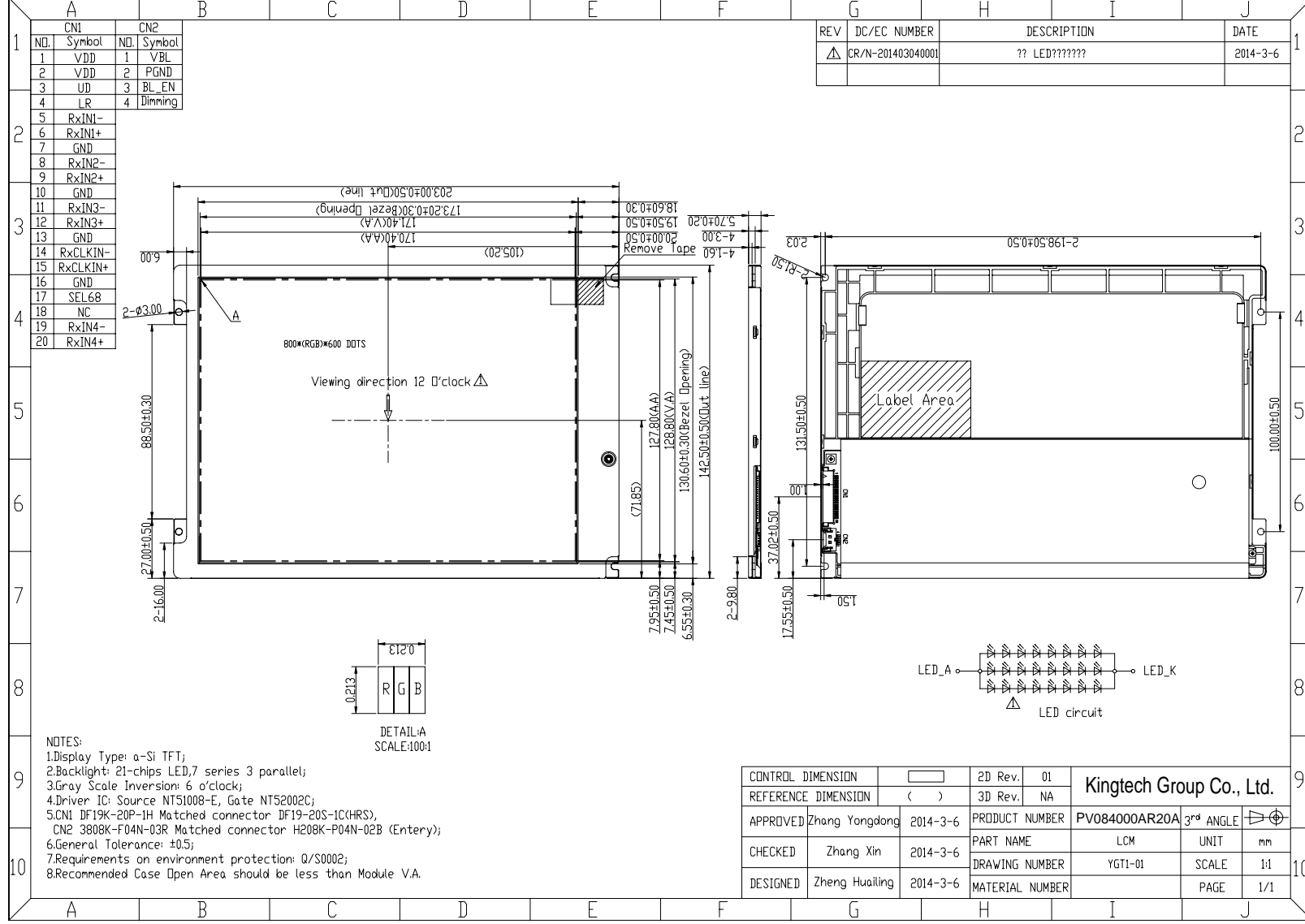
No	Test Item	Condition	Remarks
1	High Temperature Operation	Ts = +70°C, 240 hours	IEC60068-2-1 GB2423.2
2	Low Temperature Operation	Ta = -20°C, 240 hours	IEC60068-2-1 GB2423.1
3	High Temperature Storage	Ta = +80°C, 240 hours	IEC60068-2-1 GB2423.2
4	Low Temperature Storage	Ta = -30°C, 240 hours	IEC60068-2-1 GB2423.1
5	Storage at High Temperature and Humidity	Ta = +60°C, 90% RH max,240hours	IEC60068-2-78 GB/T2423.3
6	Thermal Shock (non-operation)	-30°C 30 min~+80°C 30 min, Change time:5min, 100 Cycle	Start with cold temperature, End with high temperature, IEC60068-2-14,GB2423.22
7	ESD	C=150pF,R=330Ω,5point/panel Air:±8Kv,5times; Contact:±4Kv,5times (Environment:15°C~35°C, 30%~60%.86Kpa~106Kpa)	IEC61000-4-2 GB/T17626.2
8	Vibration Test	Frequency range:10~55Hz Stroke:1.5mm Sweep:10Hz~55Hz~10Hz 2 hours for each direction of X.Y.Z. (6 hours for total)	IEC60068-2-6 GB/T2423.10
9	Mechanical Shock (Non Op)	Half Sine Wave 100G 6ms, ±X,±Y,±Z 3times for each direction	IEC60068-2-27 GB/T2423.5
10	Package Drop Test	Height:60cm, 1corner,3edges,6surfaces	IEC60068-2-32 GB/T2423.8

Note1: Ts is the temperature of panel's surface.

Note2: Ta is the ambient temperature of samples.



## 8 Mechanical Drawing





## 9 Packing drawing

No	Item	Model (Material)	Dimensions(mm)	Unit Weight(Kg)	Quantity	Remark
1	LCM module	PV084000AR20A	203X142.5X5.7	0.1851	36	
2	Partition_1	Corrugated paper	527X348X217	1.571	1	
3	Anti-static Bag	PE	161X253X0.05	0.001	36	Anti-static
4	Dust-Proof Bag	PE	700X545	0.06	1	
5	Partition_2	Corrugated Paper	505X332X4.0	0.092	2	
6	Corrugated Bar	Corrugated paper	348X173	0.057	4	
7	Carton	Corrugated paper	544X365X250	0.76	1	
9	Total weight	9.5kg±10%				



## 10 Precautions for Use of LCD Modules

### 10.1 Handling Precautions

10.1.1 The display panel is made of glass. Do not subject it to a mechanical shock by dropping it from a high place, etc.

10.1.2 If the display panel is damaged and the liquid crystal substance inside it leaks out, be sure not to get any in your mouth, if the substance comes into contact with your skin or clothes, promptly wash it off using soap and water.

10.1.3 Do not apply excessive force to the display surface or the adjoining areas since this may cause the color tone to vary.

10.1.4 The polarizer covering the display surface of the LCD module is soft and easily scratched. Handle this polarizer carefully.

10.1.5 If the display surface is contaminated, breathe on the surface and gently wipe it with a soft dry cloth. If still not completely clear, moisten cloth with one of the following solvents:

- Isopropyl alcohol
- Ethyl alcohol

Solvents other than those mentioned above may damage the polarizer. Especially, do not use the following:

- Water
- Ketone
- Aromatic solvents

10.1.6 Do not attempt to disassemble the LCD Module.

10.1.7 If the logic circuit power is off, do not apply the input signals.

10.1.8 To prevent destruction of the elements by static electricity, be careful to maintain an optimum work environment.

10.1.8.1 Be sure to ground the body when handling the LCD Modules.

10.1.8.2 Tools required for assembly, such as soldering irons, must be properly ground.

10.1.8.3 To reduce the amount of static electricity generated, do not conduct assembly and other work under dry conditions.

10.1.8.4 The LCD Module is coated with a film to protect the display surface. Be care when peeling off this protective film since static electricity may be generated.

### 10.2 Storage precautions

10.2.1 When storing the LCD modules, avoid exposure to direct sunlight or to the light of fluorescent lamps.

10.2.2 The LCD modules should be stored under the storage temperature range. If the LCD modules will be stored for a long time, the recommend condition is:

Temperature : 0°C ~ 40°C      Relatively humidity: ≤80%

10.2.3 The LCD modules should be stored in the room without acid, alkali and harmful gas.