

Customer Approved
(客户确认回答)

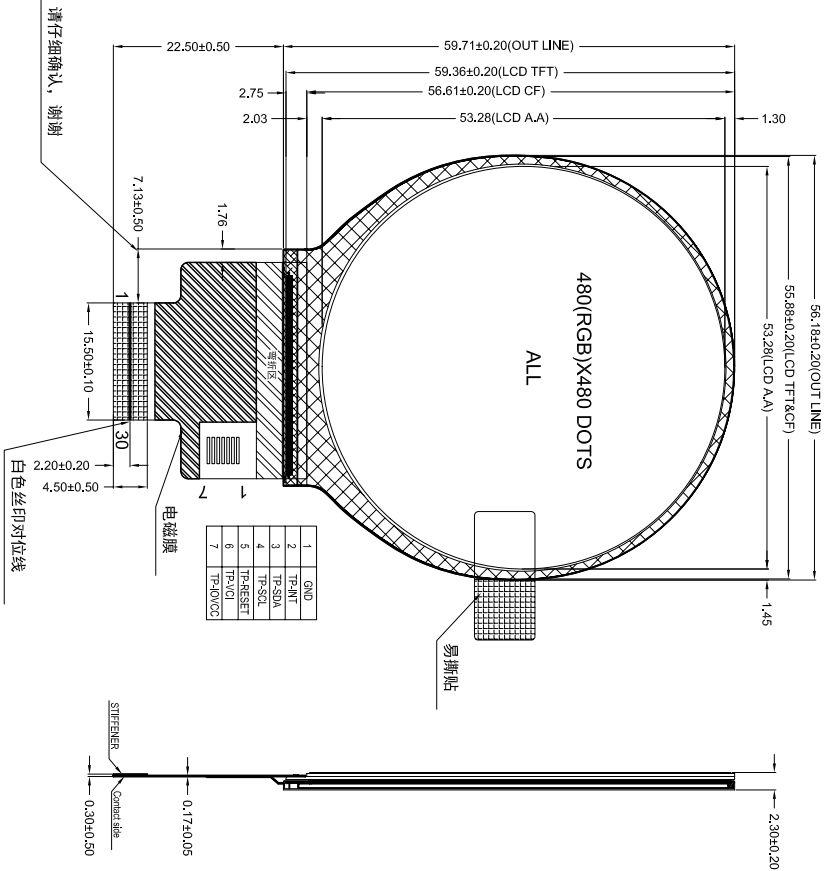
版本	更改内容	规定	日期
V0	首版发行	YLW	2022.1.14

D

B

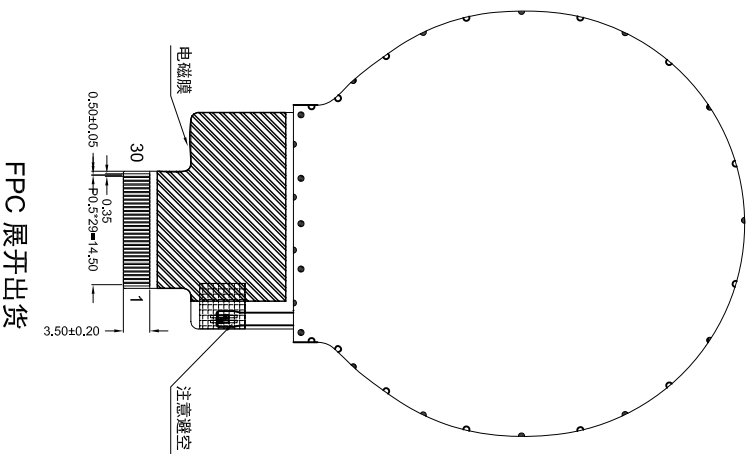
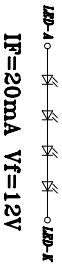
C

A



1	GNL
2	TP-INT
3	TP-SOA
4	TP-SOL
5	TP-RESET
6	TP-VOI
7	TP-DOICC

LED CIRCUIT DIAGRAM:



PNL	SYMBOL
1	LEBA
2	LEBK
3	LEBZ
4	VOZ&V
5	DOVCT&BV
6	RESET&BV
7	TE
8	PVAV
9	GNP
10	DPP
11	DNM
12	GNM
13	DP
14	DNM
15	GNM
16	TP
17	TCN
18	GNP
19	NC
20	NC
21	NC
22	NC
23	NC
24	GNL
25	TP-INT
26	TP-SOA
27	TP-SOL
28	TP-RESET
29	TP-VOI
30	TP-DOICC

Kingtech Group Co., Ltd.



A

B

C

D

DISPLAY TYPE:	2.1" TFT	DISPLAY DRIVER:	GC9503V	PIXEL PITCH:	0.198 X 0.198 mm	产品型号:	PV021005S0530F	
POLARIZER MODE:	TRANSMISSIVE	OPERATING TEMP.:	-20°C TO +70°C	LCM BRIGHTNESS (CD/M ²):	:	部品型号:	LCM外形图	
VIEWING DIRECTION:	ALL	STORAGE TEMP.:	-30°C TO +80°C	BACK LIGHT:	LED WHITE(X4)	版本:	V0	
Dot matrix:	480(RGB)X480 DOTS	STRUCTURE:	LOD+IC+FPIC+BL	MATERIAL NOTE	ROHS REQUEST	日期:	2022.1.14	
						UNMARKED TOLERANCE:	±0.20 mm	
							比例:	1:1
							设计:	
							页码:	
							1 OF 1	