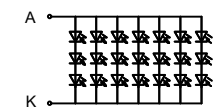
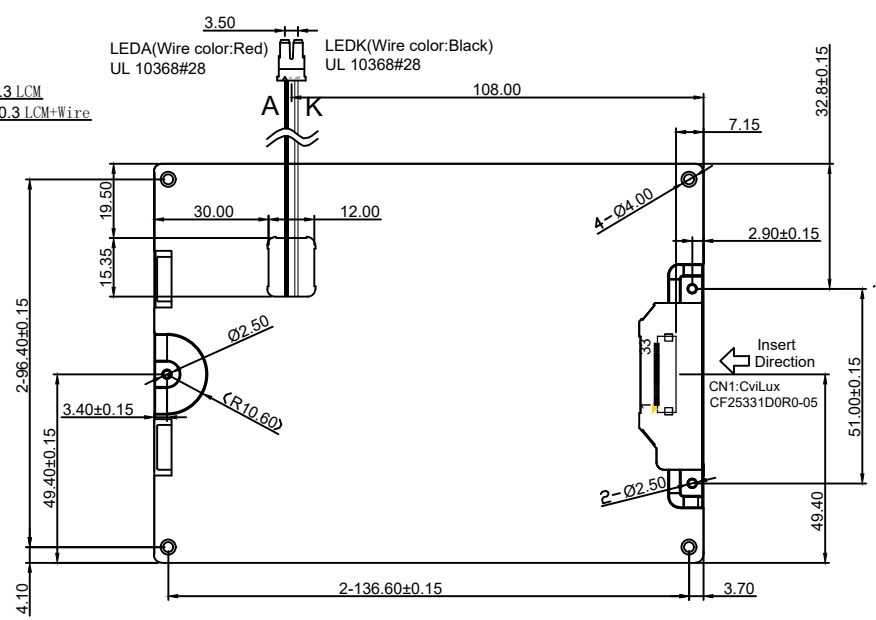
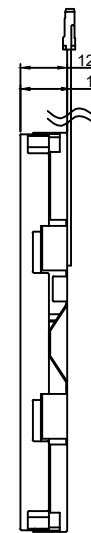
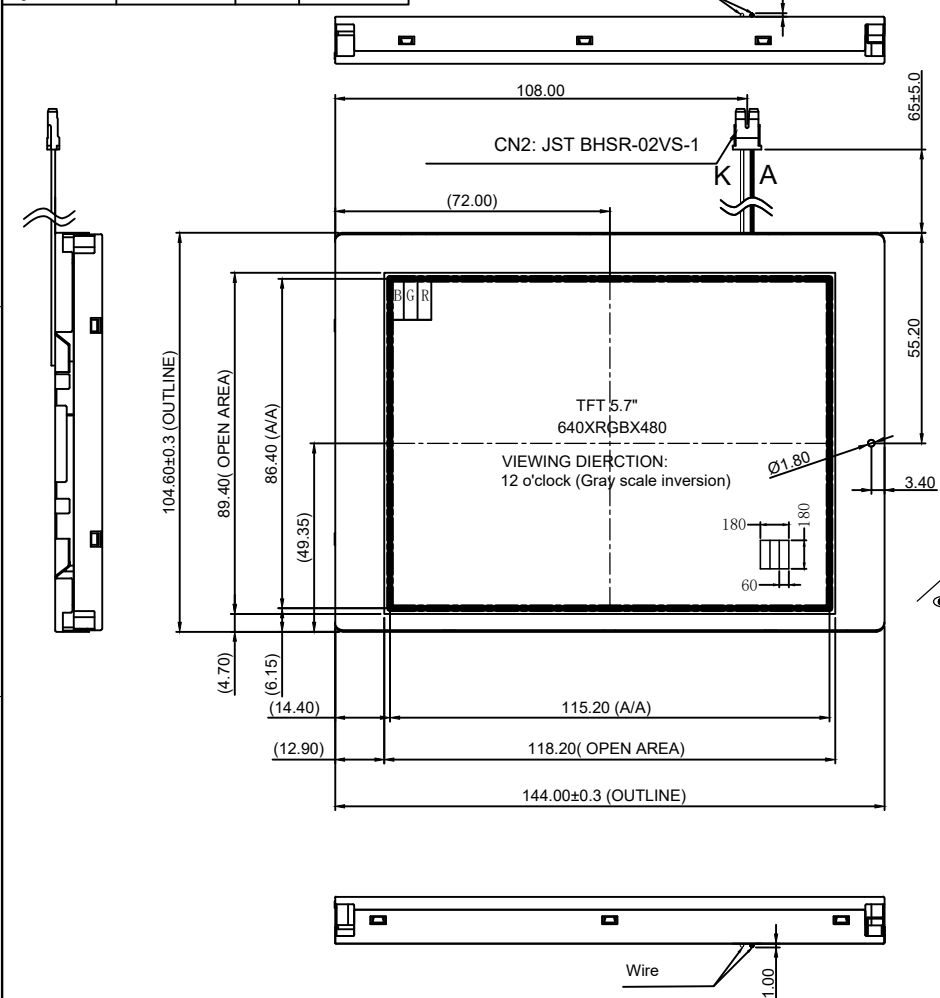


Signature: _____ Date: _____

REV.	DESCRIPTION	REVISER	DATE
V0	NEW	Coco	2024.05.21



BLU Circuit:3S-7P BLU VF=9.6V(Typ),IF=140mA

CN1

PIN NO	SYMBOL
1	Vss
2	CLK
3	IHS
4	IVS
5	Vss
6	R0
7	R1
8	R2
9	R3
10	R4
11	R5
12	Vss
13	G0
14	G1
15	G2
16	G3
17	G4
18	G5
19	Vss
20	B0
21	B1
22	B2
23	B3
24	B4
25	B5
26	Vss
27	DEN
28	Vcc
29	Vcc
30	REV
31	GND
32	NC
33	Vss

- NOTES:
- 1.DISPLAY TYPE: 5.7" TN TFT, TRANSMISSIVE, Normally White
 - 2.VIEWING DIRECTION:12 o'clock (Gray scale inversion)
U/D/L/R: 60/50/60/60
 - 3.LCD Driver IC: JD9168S
 - 4.OPERATING TEMP: -20°C~+70°C
 - 5.STORAGE TEMP: -30°C~+80°C
 - 6.Luminace: 400min, 500 Typ cd/m2
 - 7.UNMARKER TOLERANCE: ±0.3
 - 8.REQUIREMENTS ON ENVIRONMENTAL PROTECTION: RoHS

Kingtech Group Co., Ltd.

Unspecified Tolerance:	±0.20	UNITS: mm	DATE:	MODEL NUMBER :		SHEET: 1 Of 1
DESIGN BY:	Coco	2024.05.21	PV05717Y0133T			
CHECKED BY:					DRAWING DESCRITUON:	LCM
APPROVED BY:						