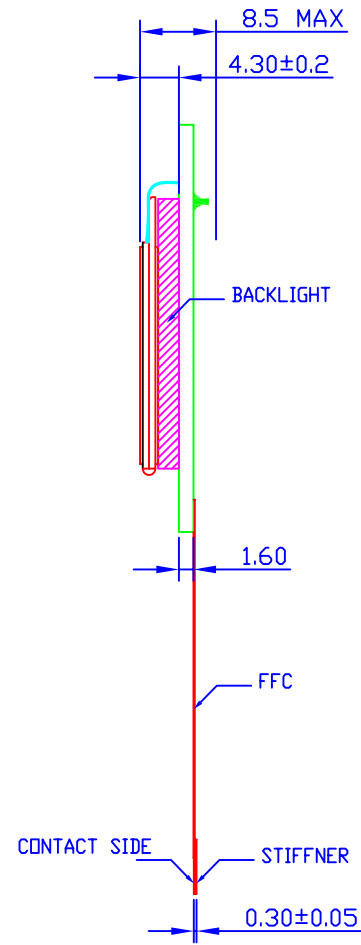
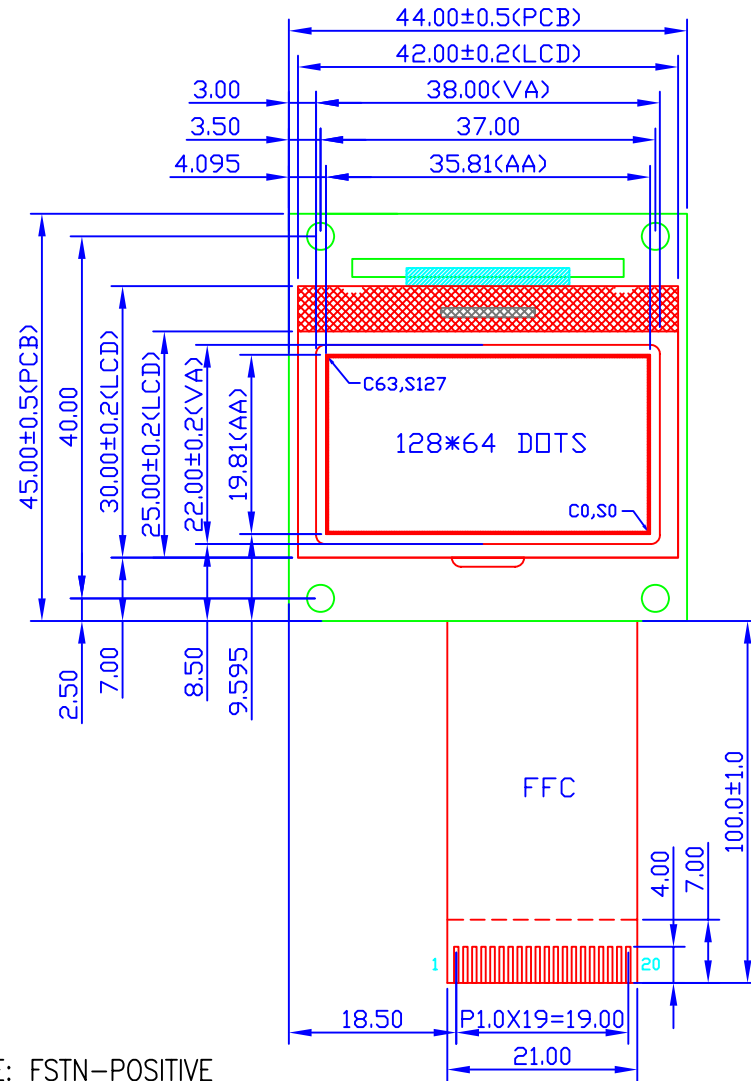
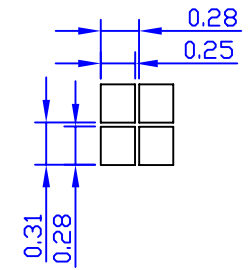


REV.	CHANGE CONTENT	BY	DATE



1	NC
2	NC
3	NC
4	NC
5	VSS
6	VDD
7	DB7
8	DB6
9	DB5
10	DB4
11	DB3
12	DB2
13	DB1
14	DB0
15	E
16	R/W
17	A0
18	/RES
19	/CS
20	VLED



LCD PIN	NT7532 Pin
C0~C31	C31~C0
C32~C63	C63~C32
S0~S127	S0~S127

- NOTE:
- LCD TYPE: FSTN-POSITIVE
  - POLARIZER MODE: TRANSFLECTIVE
  - DRIVE METHOD: 1/64 DUTY, 1/9 BIAS,  $V_{op}=8.75V$
  - VIEWING DIR.: 12:00
  - OP. TEMP.:  $-20^{\circ}C \sim 70^{\circ}C$
  - ST. TEMP.:  $-30^{\circ}C \sim 80^{\circ}C$
  - BACKLIGHT: WHITE,  $V_f=4.0V$ ,  $I_f=40mA$
  - LCD CONTROLLER: NT7532,  $VDD=3.0V$

Kingtech Group.,Ltd

DRAWING No.: PV1286422G	
DRAWING TITLE : LCM	
FILE NO.: 8	
REV. : A	SCALE : -
PROJECTION:	UNIT : MM
	SHEET : 1/1

DESIGN	TECHNOLOGY
CHECKED	Q.A
STANDARD	APPROVED